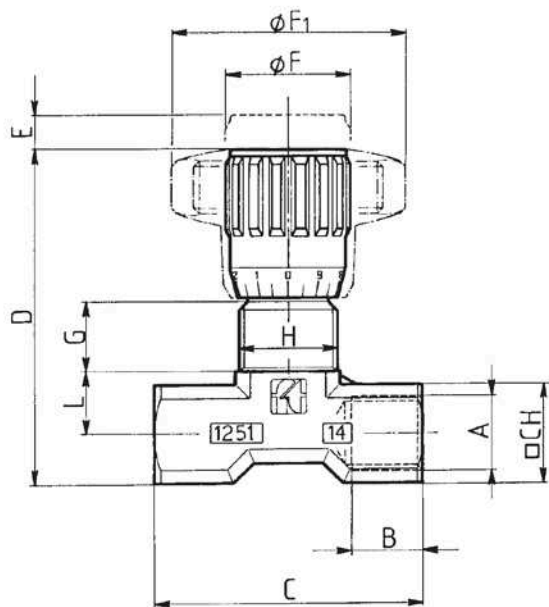


Needle Valves - 210 BAR

FT 1251/2



MATERIALS

| | |
|--------------------|----------------------------------|
| BODY | DT 58 - UNI 5705 - NICKEL-PLATED |
| NEEDLE | X 10 Cr Ni S 1809 - UNI 6900 |
| O R | NITRILE |
| ANTIEXTRUSION RING | PTFE |
| KNOB | GD AL Si 12 - UNI 5706 |
| KNOB (MP) | ABS |

| Part Number | Size (A) (BSP P) | Max Pressure (BAR) | B (mm) | C (mm) | D (mm) | E (mm) | F (mm) | F1 (mm) | G (mm) | H (mm) | L (mm) | CH (mm) |
|-------------|---------------------|-----------------------|-----------|-----------|-----------|-----------|-----------|------------|-----------|-----------|-----------|------------|
| FT1251/2-18 | 1/8" | 210 | 8 | 40 | 55 | 4 | 22 | 40 | 12 | M15x1 | 9.5 | 15 |
| FT1251/2-14 | 1/4" | 210 | 12 | 46 | 57 | 4.5 | 22 | 40 | 11.5 | M17x1 | 11.5 | 18 |
| FT1251/2-38 | 3/8" | 210 | 13 | 55 | 69 | 7 | 27 | 50 | 12.5 | M20x1 | 15 | 22 |
| FT1251/2-12 | 1/2" | 210 | 16 | 70 | 82 | 10 | 33 | 70 | 13 | M25x1.5 | 19 | 27 |
| FT1251/2-34 | 3/4" | 210 | 20 | 91 | 100 | 12 | 38 | 80 | 15 | M30x1.5 | 22 | 34 |

We offer a Full Range of Hydraulic Products from a comprehensive range of manufacturers to bring you the products and systems most suited to your applications

