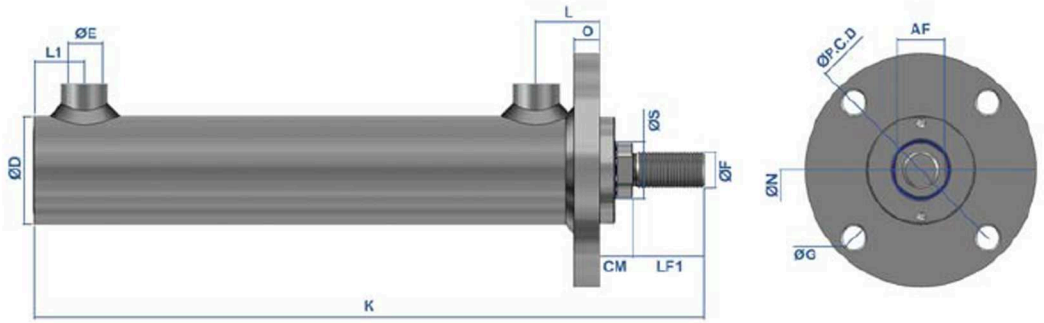


TMFF Double Acting Hydraulic Cylinders

Double Acting Cylinder or Single Acting with Breather

Max Working Pressure - 250 BAR
 Max Speed - 0.5 M/Sec
 Operating Temp - +80 to -25
 Tube - Steel ST52.3 - DIN2393 ISO H9
 Chrome Rod - Steel UNI C45
 25 Micron - EN8 Grade



PART NUMBER	BORE \varnothing (mm)	D \varnothing (mm)	S \varnothing (mm)	Closed Centres K (mm)	STROKE (mm)	E (BSP)	CM (mm)	L (mm)	L1 (mm)	F \varnothing (mm)	LF1 (mm)	O (mm)	AF (mm)	N (mm)	\varnothing (mm)	G (mm)	WEIGHT (kg's)
TMFF-40-20-100				250	100												3
TMFF-40-20-200				350	200												3.8
TMFF-40-20-300	40	50	20	450	300	1/4BSP	18	32	25	16X1.5	30	12	18	109	87	11 (x4)	4.5
TMFF-40-20-400				550	400												5.4
TMFF-40-20-500				650	500												6.2
TMFF-50-30-100				270	100												4.6
TMFF-50-30-200				370	200												5.8
TMFF-50-30-300	50	60	30	470	300	3/8BSP	18	35	25	20X1.6	48	14	25	128	105	13 (x4)	7
TMFF-50-30-400				570	400												8.2
TMFF-50-30-500				670	500												9.4
TMFF-60-35-100				300	100												6.9
TMFF-60-35-200				400	200												8.4
TMFF-60-35-300	60	70	35	500	300	3/8BSP	20	40	30	27X2	50	16	32	142	117	13 (x4)	9.9
TMFF-60-35-400				600	400												11.4
TMFF-60-35-500				700	500												12.9
TMFF-70-40-100				312	100												8.63
TMFF-70-40-200				412	200												10.53
TMFF-70-40-300	70	80	40	512	300	3/8 BSP	22	40	30	30x2	60	16	36	162	127	15 (x4)	12.76
TMFF-70-40-400				612	400												16
TMFF-70-40-500				712	500												17.2
TMFF-80-50-100				345	100												13.7
TMFF-80-50-200				445	200												16.8
TMFF-80-50-300	80	95	50	545	300	1/2 BSP	25	50	40	36x2	70	18	45	181	149	17 (x6)	19.9
TMFF-80-50-400				645	400												23
TMFF-80-50-500				745	500												25.1
TMFF-100-50-100				375	100												20.2
TMFF-100-50-200				475	200												25.8
TMFF-100-50-300	100	115	50	575	300	1/2 BSP	27	70	40	36x2	70	24	45	184	162	17 (x6)	27.2
TMFF-100-50-400				675	400												30.8
TMFF-100-50-500				775	500												33.4

Special versions of this cylinder design are available on request

We offer a Full Range of Hydraulic Products from a comprehensive range of manufacturers to bring you the products and systems most suited to your applications

