

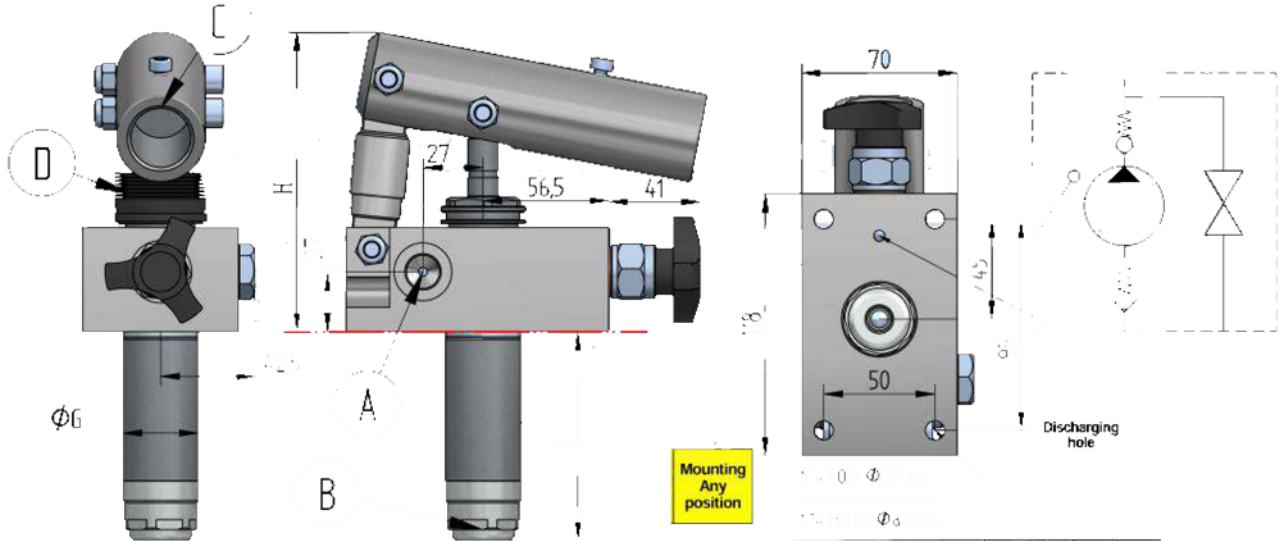
Stainless Steel Single Acting Hand Pump



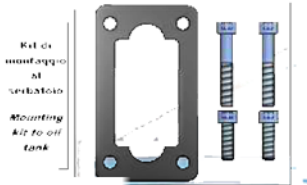
Full stainless steel hand pump for single acting systems
Ideal for use in nuclear, marine, offshore, food, chemical and pharmaceutical industries

Suitable for with water and in harsh environments
These pumps are built to the highest standards for the most demanding environments

AISI316

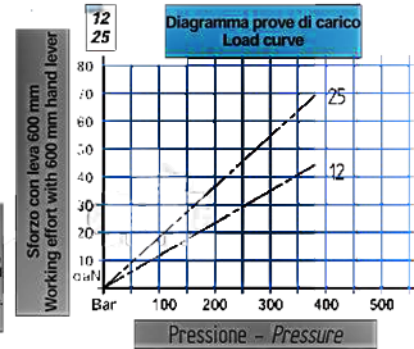


Mandata Pressure porte	Aspirazione Suction
A	B
3/8 GAS	
Diametro interno porta leva Lever connection inside diameter	Soffietto Bellows ON REQUEST
C	D
27 mm	



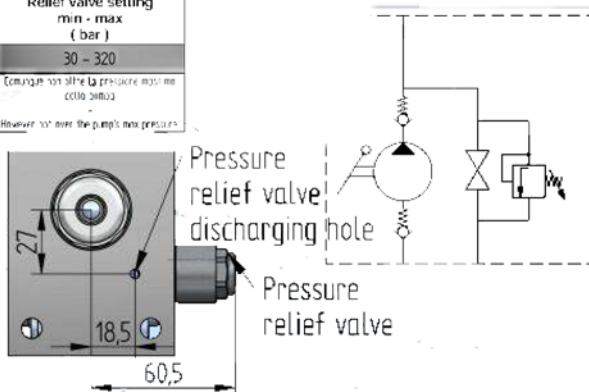
Line	Clicks at Flow (cc)	Pressione massima Max pressure (bar)	Peso Weight (Kg)	H (mm)	I (mm)	G (mm)
12	125	320	4,7	135	97	34
25	194	300	4,7	135	97	34

Technical data not binding. Modifications reserved without prior notice.



Contact us for Pressure Relief Valve Versions

Taratura valvola di massima pressione
Relief valve setting min - max (bar)
30 - 320
Comunque non oltre la pressione massima della pompa
However not over the pump's max pressure



We offer a Full Range of Hydraulic Products from a comprehensive range of manufacturers to bring you the products and systems most suited to your applications

