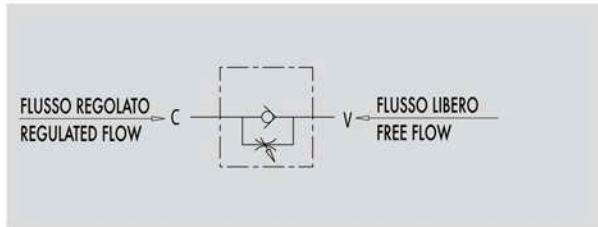


Barrel Flow Control Valves With Check

TIPO / TYPE

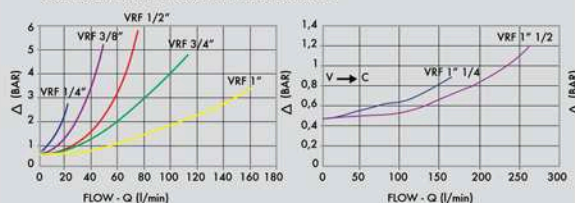
VRF

SCHEMA IDRAULICO
HYDRAULIC DIAGRAM



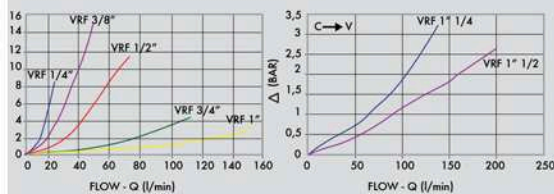
PERDITE DI CARICO PRESSURE DROPS CURVE

STROZZATORE TUTTO CHIUSO - FULLY CLOSED THROTTLE



Temperatura olio: 50°C - Viscosità olio: 30 cSt
Oil temperature: 50°C - Oil viscosity: 30 cSt

STROZZATORE TUTTO APERTO - FULLY OPENED THROTTLE



BARREL FLOW CONTROL VALVES WITH CHECK

USE AND OPERATION:

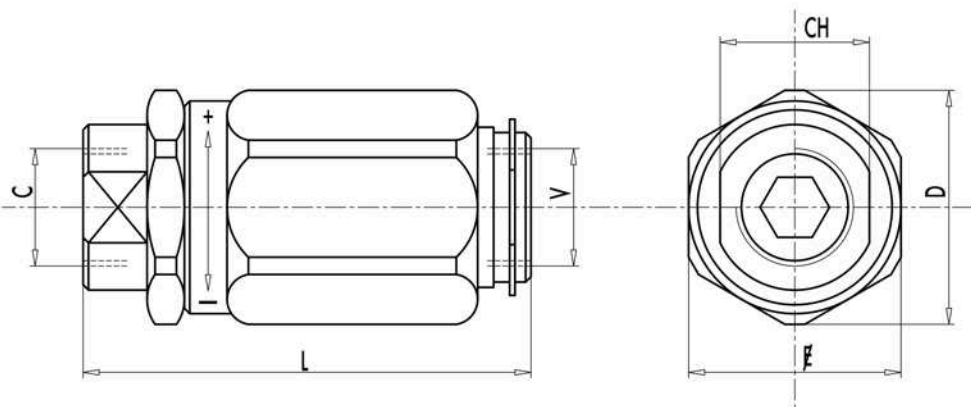
This valve is used to adjust flow speed of actuators in one direction; flow is free in the reverse one. As pressure compensation is not provided, flow adjustment depends on pressure and oil viscosity.

MATERIALS AND FEATURES:

Body: zinc-plated steel
Internal parts: hardened and ground steel
Seal: BUNA N standard
Tightness: by diameter combination. Minor leakage with closed valve

APPLICATIONS:

Connect V to the pressure flow and C to the actuator to set. The flow is adjusted from C to V and free in the reverse direction. When used on an actuator with double pilot check valve, VRF has to be mounted between the actuator and the double pilot check valve. Flow adjustment is made by rotating the coupling: by clockwise rotation flow increases and vice versa. Once the flow has been set, lock the nut in order to keep the desired settings even in case of vibrations.



Part Number	Max Flow (Lt. / min)	Max Pressure (BAR)	Port Size (BSP P)	L (mm)	L1 (mm)	CH (mm)	D (mm)
VRF-14	20	300	1/4"	66.5	30	19	34
VRF-38	45	300	3/8"	73	32	24	36
VRF-12	70	300	1/2"	80	38	27	42
VRF-34	110	250	3/4"	95	46	32	51
VRF-1	160	250	1"	109	55	41	60

We offer a Full Range of Hydraulic Products from a comprehensive range of manufacturers to bring you the products and systems most suited to your applications

