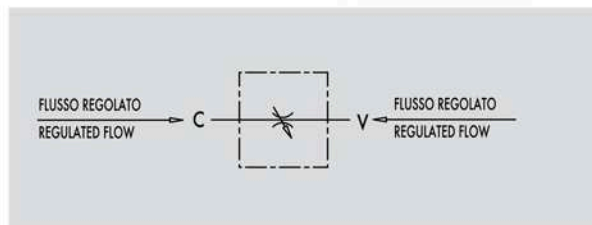


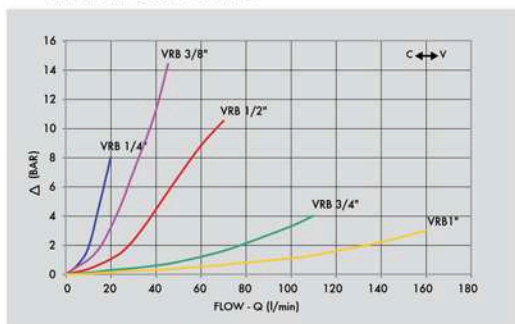
Barrel Flow Control Valves No Check

TIPO / TYPE
VRB

SCHEMA IDRAULICO
HYDRAULIC DIAGRAM



PRESSURE DROPS CURVE



BARREL FLOW CONTROL VALVES NO CHECK

USE AND OPERATION:

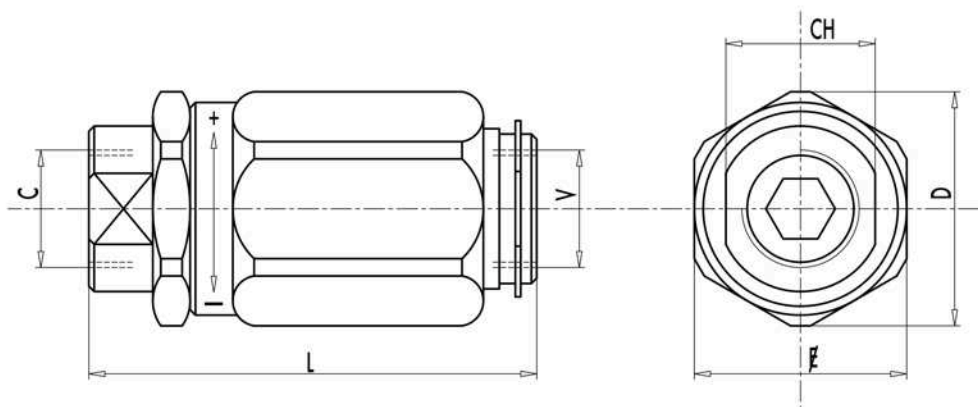
This valve is used to adjust flow speed of actuators in both directions. As pressure compensation is not provided, flow adjustment depends on pressure and oil viscosity.

MATERIALS AND FEATURES:

Body: zinc-plated steel
Internal parts: hardened and ground steel
Seal: BUNA N standard
Tightness: by diameter combination. Minor leakage with closed valve

APPLICATIONS:

Connect V to the pressure flow and C to the actuator to set; when used on actuator with double pilot check valve, VRB has to be mounted between the actuator and the double pilot check valve. Flow adjustment is made by rotating the coupling: by clockwise rotation flow increases and vice versa. Once the flow has been set, lock the nut in order to keep the desired settings even in case of vibrations.



Part Number	Max Flow (Lt. / min)	Max Pressure (BAR)	Port Size (BSP P)	L (mm)	L1 (mm)	CH (mm)	D (mm)
VRB-14	20	300	1/4"	66.5	30	19	34
VRB-38	45	300	3/8"	73	32	24	36
VRB-12	70	300	1/2"	80	38	27	42
VRB-34	110	250	3/4"	95	46	32	51
VRB-1	160	250	1"	109	55	41	60