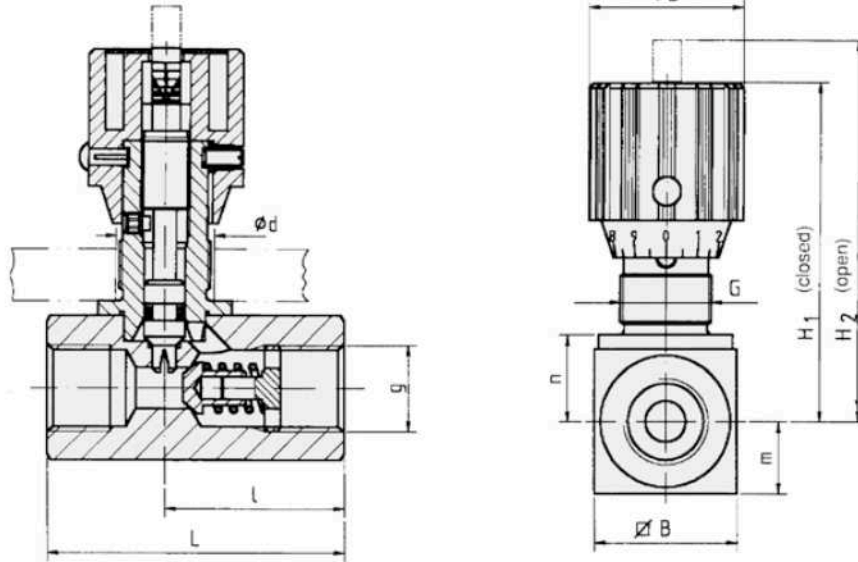


MHA Flow Control Valves - 350 BAR



Part Number	Size (A) (BSP P)	Max Pressure (BAR)	Max Flow Controlled (LPM)	H2 (mm)	H1 (mm)	m (mm)	n (mm)	B (mm)	l (mm)	L (mm)	D (mm)	d (mm)	Max Flow Reverse (LPM)
NDRV-18	1/8"	350	10	60	55	8	10	16	26	45	24	13	15
NDRV-14	1/4"	350	50	71	65	12.5	14.5	25	33.5	55	29	19	70
NDRV-38	3/8"	350	75	75	68	15	17	30	41	65	29	19	100
NDRV-12	1/2"	350	140	92	82	17.5	21	35	44	73	38	23	150
NDRV-34	3/4"	350	175	106	96	22.5	26	45	57	88	38	23	200
NDRV-1	1"	350	350	149	132	25	30	50	77	127	55	38	275
NDRV-114	1 1/4"	350	350	154	137	30	35	60	93	143	55	38	400
NDRV-112	1 1/2"	350	350	159	142	35	40	70	91	143	55	38	520

We offer a Full Range of Hydraulic Products from a comprehensive range of manufacturers to bring you the products and systems most suited to your applications

