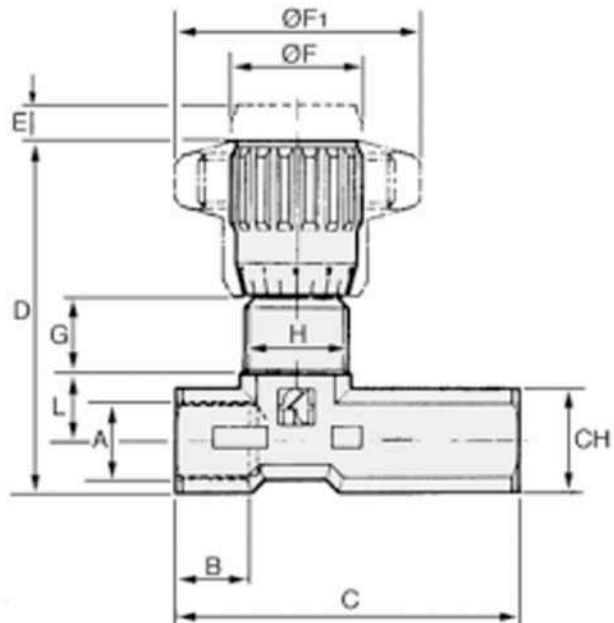


Flow Control Valves - 210 BAR



MATERIALS

BODY	QT 58 - UNI 5705 - NICKEL PLATED
NEEDLE	X 10 CR NI S 1809 - UNI 6900
OR	NITRILE
ANTIEXTRUSION RING	PTFE
KNOB	GD AL SI 12 - UNI 5706
KNOB (MP)	ABS



Part Number	Size (A) (BSP P)	Max Pressure (BAR)	B (mm)	C (mm)	D (mm)	E (mm)	F (mm)	F1 (mm)	G (mm)	H (mm)	L (mm)	CH (mm)
FT1253/2-18	1/8"	210	8	46.5	55	4	22	40	12	M15x1	9.5	15
FT1253/2-14	1/4"	210	12	56	57	4.5	22	40	11.5	M17x1	11.5	18
FT1253/2-38	3/8"	210	13	64.5	69	7	27	50	12.5	M20x1	15	22
FT1253/2-12	1/2"	210	16	87	82	10	33	70	13	M25x1.5	19	27
FT1253/2-34	3/4"	210	20	115	100	12	38	80	15	M30x1.5	22	34

We offer a Full Range of Hydraulic Products from a comprehensive range of manufacturers to bring you the products and systems most suited to your applications

