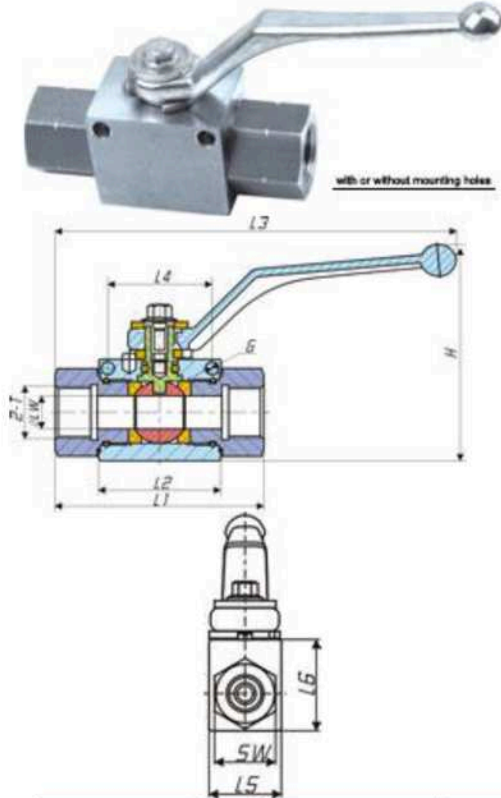


## BKHVSS Stainless Steel Ball Valves

### 2-WAY HIGH PRESSURE BALL VALVE (STAINLESS STEEL 316L)



**INTERCHANGE :** PISTER RKH SERIES, MHA BKH SERIES, HYDAC KHM SERIES, GEMELS GE2 SERIES

**SPECIFICATIONS :**

- Body: stainless steel 316L
- Ball: stainless steel 316L
- Stem: stainless steel 316L
- Handle: Zinc Alloy
- Standard O-Rings: NBR
- On request O-Rings: Viton, Neoprene, EPDM or other seals.
- Ball seals: DELRIN (POM) or PEEK
- Temperature Range: -40°C+200°C/-40°F+396°F

**APPLICATIONS:**

Chemical and petrochemical industry, environmental installations, off shore, water, high pressure cleaning systems.

Art .No.	Size	Max. Working Pressure	ΦLW	L1	L2	L3	H	D	T	L4	L5	L6
HBBVSS-14	1/4"	500 bar	Φ6	69	40	152	78	35	1/4BSPP	-	-	-
HBBVSS-38	3/8"	500 bar	Φ10	71	42	154	84	42	3/8BSPP	-	-	-
HBBVSS-12	1/2"	500 bar	Φ13	82	48	159	86	45	1/2BSPP	-	-	-
HBBVSS-34	3/4"	315 bar	Φ20	96	62	219	119	60	3/4BSPP	-	-	-
HBBVSS-1	1"	315 bar	Φ25	113	66	228	128	65	1BSPP	-	-	-

	Standard Type	Art .No.	DN (mm)	LW (mm)	D	RA (mm)	L (mm)	I (mm)	SW1 (mm)
01		EHVSS-G1/4	6	6	G1/4	-	69	13.5	22
		EHVSS-G3/8	10	10	G3/8	-	71	14	27
		EHVSS-G1/2	13	13	G1/2	-	82	16.5	30
		EHVSS-G3/4	20	20	G3/4	-	96	18	41
		EHVSS-G1	25	25	G1	-	113	20	50
02		EHVSS-1/4NPT	6	6	1/4-18NPT	-	76	11.5	22
		EHVSS-3/8NPT	10	10	3/8-18NPT	-	81	12	27
		EHVSS-1/2NPT	13	13	1/2-14NPT	-	102	15.5	30
		EHVSS-3/4NPT	20	20	3/4-14NPT	-	112	16	41

We offer a Full Range of Hydraulic Products from a comprehensive range of manufacturers to bring you the products and systems most suited to your applications

