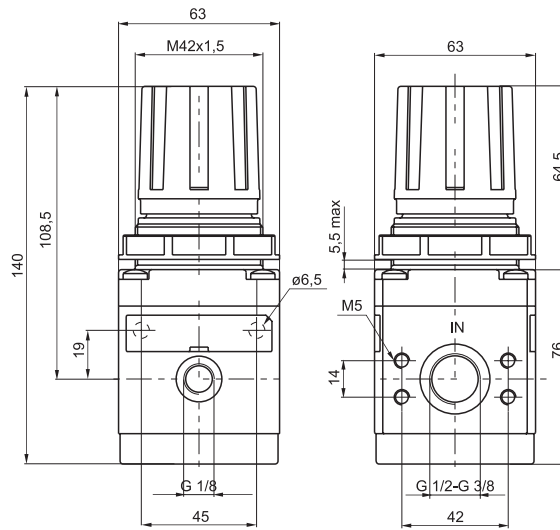


Ordering code

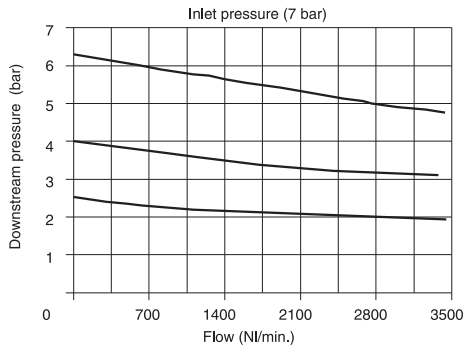
**17302C.G.T**

<b>CONNECTIONS</b>	
<b>C</b>	A = G 3/8"
	B = G 1/2"
<b>ADJUSTING RANGE</b>	
<b>A</b>	0 - 2 bar
<b>B</b>	0 - 4 bar
<b>C</b>	0 - 8 bar
<b>D</b>	0 - 12 bar
<b>TYPE</b>	
<b>T</b>	L = no Relieving
	SM = improved relieving

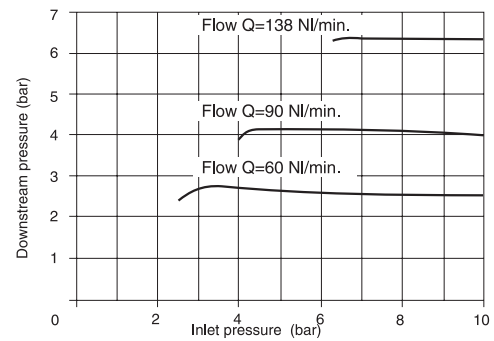


Example: 17302A.C  
Pressure regulator with G 3/8" connections, adjusting range 0 - 8 bar with relieving.

Flow rate curves



Adjustment characteristics



**Construction and working characteristics**

- Diaphragm pressure regulator with relieving.
- Balanced poppet.
- Lockable handle by simply pressing it downwards in the desired position.
- Body made with light alloy.
- Wall mounting possibility with M6 screws protected by covers.
- Two pressure gauge connections with plug complete of seal.
- Panel mounting bracket.

**Technical characteristics**

Connections	G 3/8" - G 1/2"
Max. Inlet pressure	13 bar - 1,3 MPa
Max. ambient temperature (at 10 bar)	50°C
Pressure gauge connections	G 1/8"
Weight	gr. 550
Pressure range	0 - 2 bar / 0 - 4 bar 0 - 8 bar / 0 - 12 bar
Assembly position	Any
Wall fixing screw	M6
Max. fitting torque	40 Nm