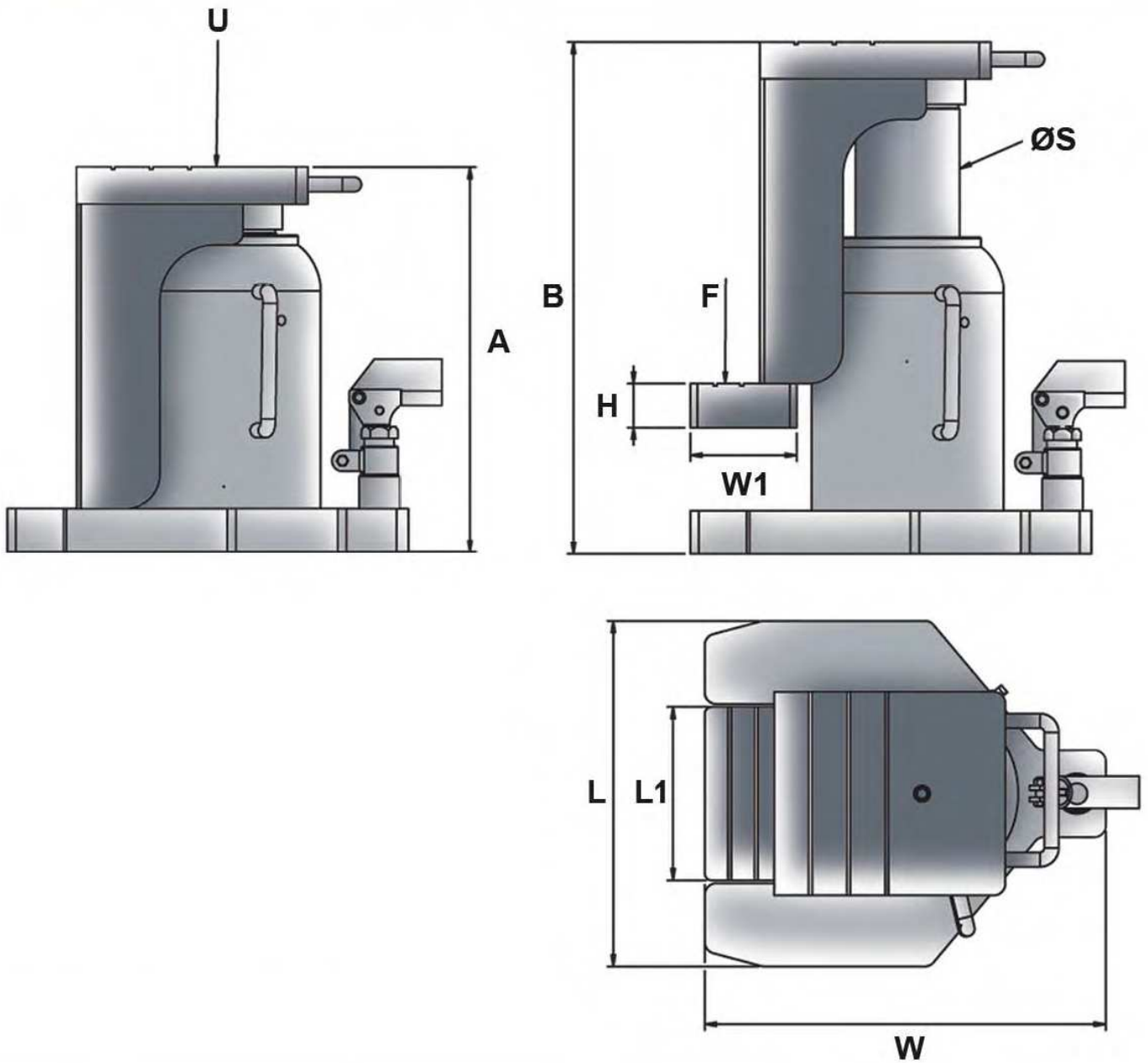


Hydraulic Toe Jacks



Order Code	Stroke (mm)	U TOP CAP' (tons)	U TOE LIFT CAP (tons)	A (mm)	B (mm)	S Ø (mm)	L x W BASE DIMENS' (mm)	H (mm)	L1 x W1 TOE LIFT DIM' (mm)
HTJ02	100	2.5	1.2	176	276	19	140 x 190	19	65 x 50
HTJ04	110	4	2	136	246	25	150 x 200	19	65 x 50
HTJ06	100	6	3	134	234	36	160 x 217	19	65 x 50
HTJ10	130	10	5	164	294	40	189 x 242	22	45 x 55
HTJ16	134	16	8	168	302	52	211 x 256	25	90 x 55
HTJ20	140	20	10	182	322	56	228 x 274	25	100 x 60
HTJ30	100	30	15	147	247	70	259 x 305	32	110 x 60
HTJ50	110	50	25	165	275	90	299 x 347	38	150 x 60