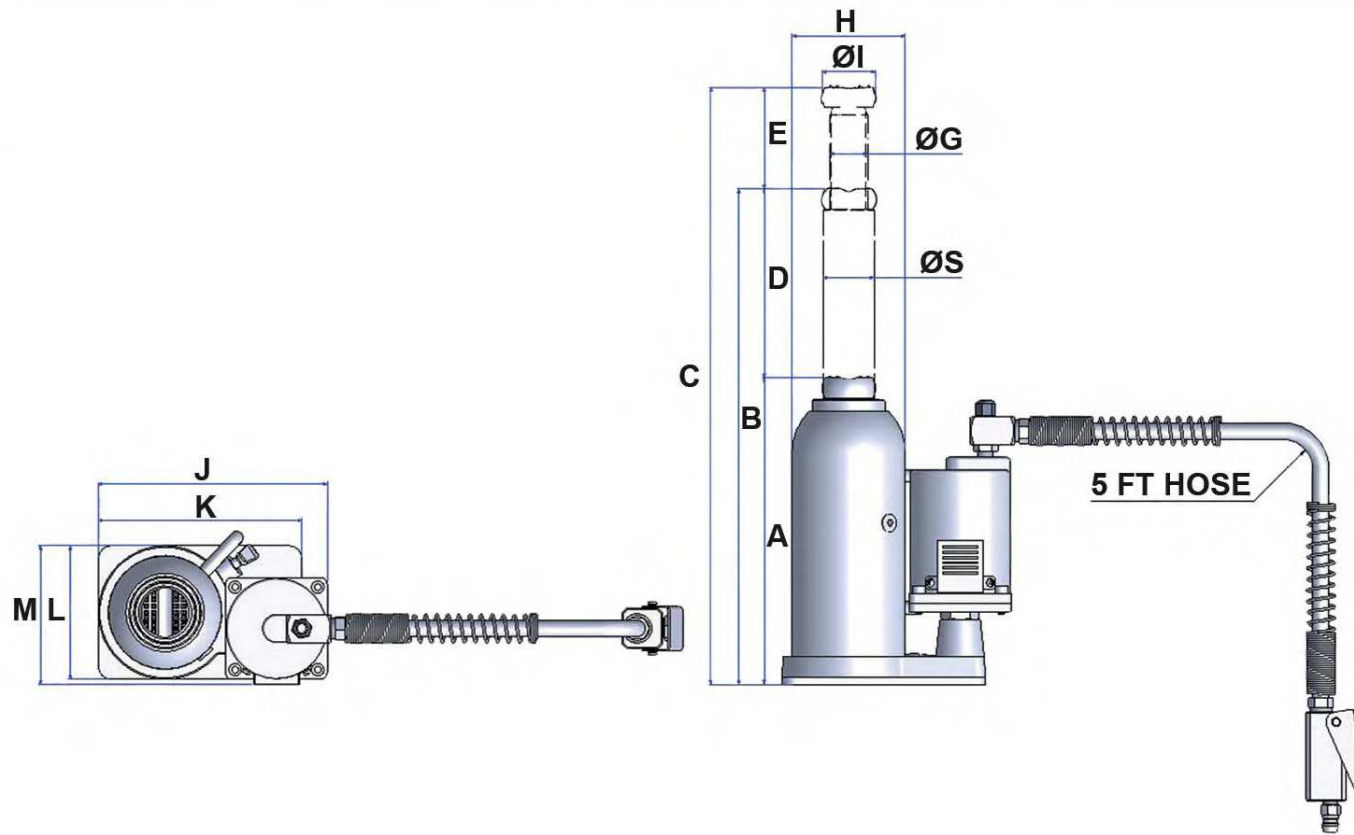


Air Hydraulic Bottle Jacks



Order Code	Stroke (mm)	Capacity (ton)	A (mm)	B (mm)	C (mm)	D (mm)	E (mm)	S Ø (mm)	G Ø (mm)	H (mm)	I Ø (mm)	J (mm)	K (mm)	L (mm)	M (mm)	Hose Length (ft)	Handle Length (mm)
AJ120	148.5	12	241	389.5	469.5	148.9	80	39.5	29.5	89	42	180	160	105	107	5	630
AJ220	129	22	204.5	369.5	449.5	129	80	56	29.5	114	42	205	185	130	132	5	630
AJ300	162	30	279	441	-	162	-	65	-	140	-	235	-	-	-	5	630
AJ500	171	50	304	475	-	171	-	75	-	163	-	260	-	-	-	5	630