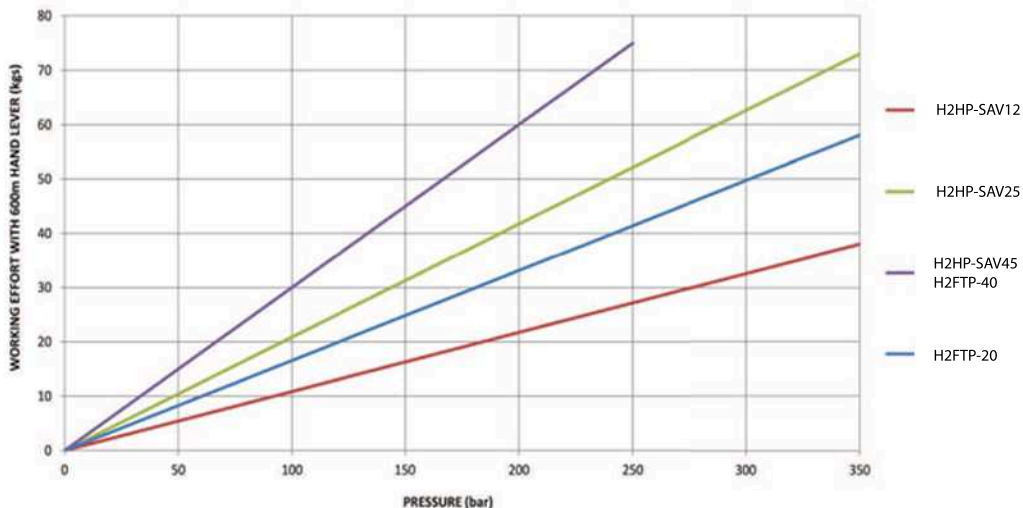
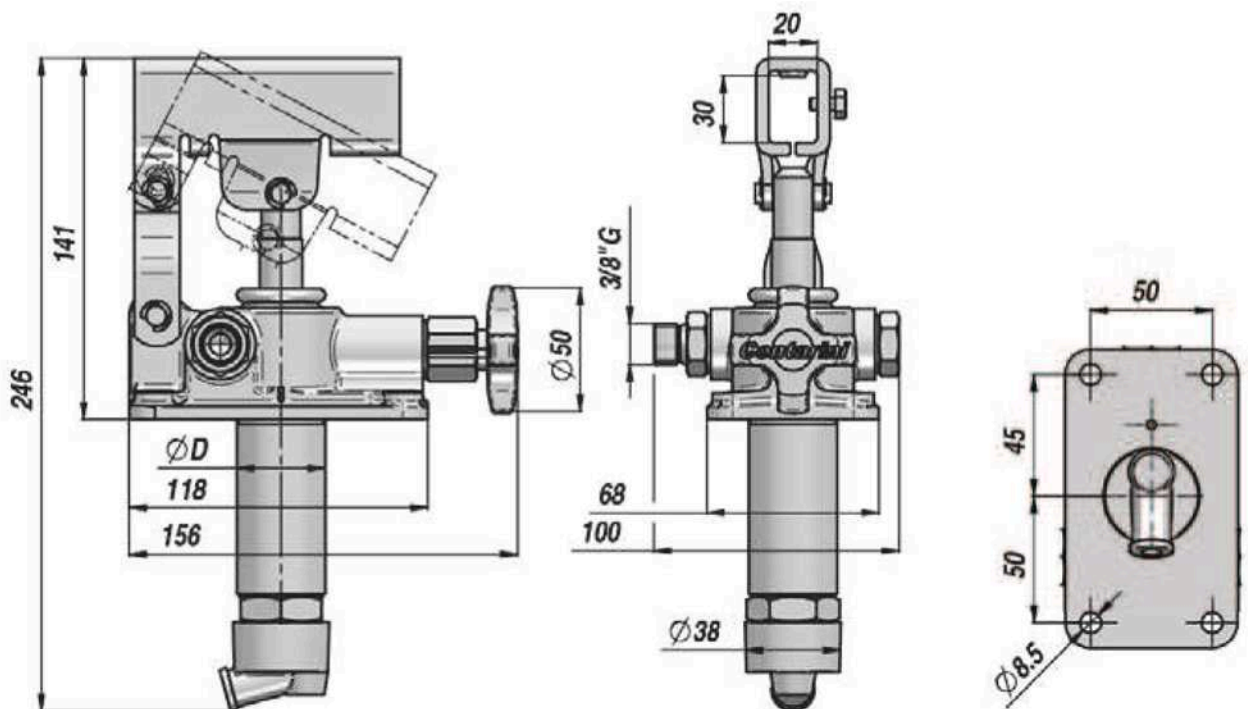


H2HP-SAV Single Acting Hand Pumps



12, 25 & 45cc Per Stroke Outputs per Cycle
 For Single Acting Cylinders
 Complete with Gasket & Fittings
 H2HP-SAV Types Include Pressure Relief Valve

Model	Capacity	Max Pressure	D
	(cc)	BAR	mm
H2HP-SAV12	12	380	30
H2HP-SAV25	25	350	35
H2HP-SAV45	45	280	40



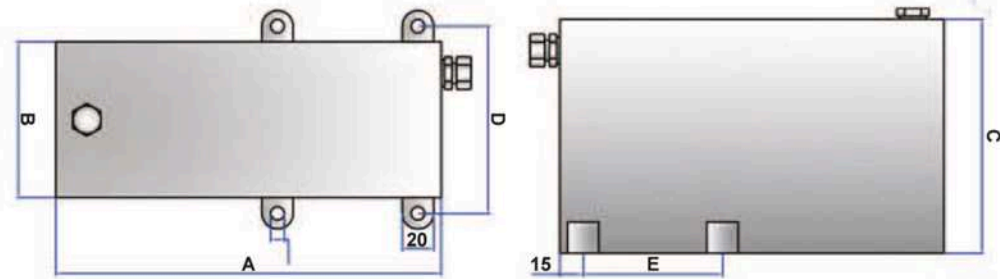
We offer a Full Range of Hydraulic and Pneumatic Products from a comprehensive range of manufacturers to bring you the products and systems most suited to your applications



HPSR & HPAR Pump Tanks

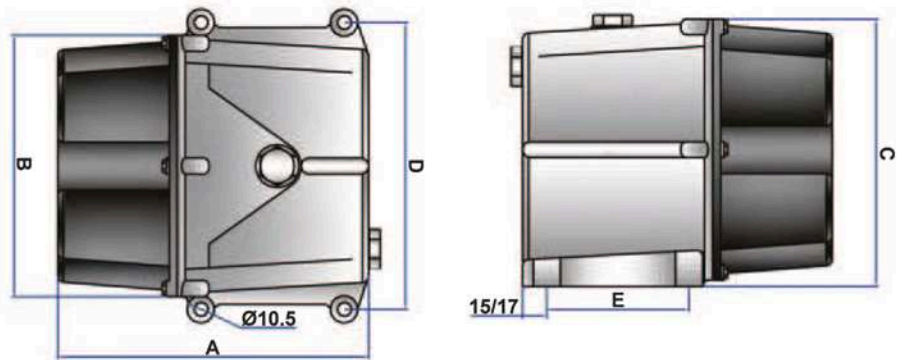
Steel and Aluminium Tanks for H2HP-DAV and SAV Hand Pumps
1 to 10 Litre Volumes for Steel and 1 to 5 Litre for Aluminium

HPSR Steel Hand Pump Tanks



Model	A mm	B mm	C mm	Capacity Litre	D mm	E mm
HPSR-1	120	100	150	1	120	90
HPSR-2	180	100	150	2	120	90
HPSR-3	247	100	150	3	120	90
HPSR-5	200	175	175	5	195	90
HPSR-7	269	175	175	7	195	90
HPSR-10	376	175	175	10	195	90

HPAR Aluminium Hand Pump Tanks



Model	A mm	B mm	C mm	Capacity Litre	D mm	E mm
HPAR-1	150	123	130	1	96	110
HPAR-2	150	164	168	2	180	90
HPAR-3	195	164	168	3	180	90
HPAR-5	305	164	168	5	180	90

We offer a Full Range of Hydraulic and Pneumatic Products from a comprehensive range of manufacturers to bring you the products and systems most suited to your applications

