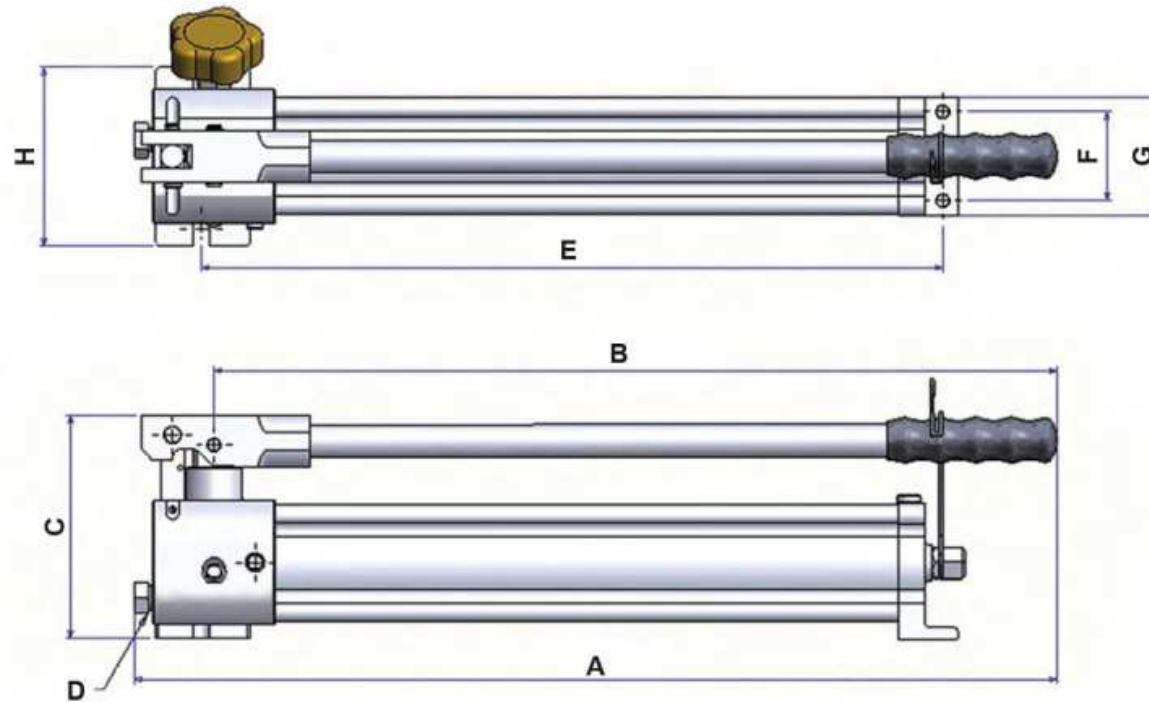


High Pressure Aluminium Hand Pumps



ORDER CODE	PRESSURE RATING (bar)		OIL CAP (c.c)	PER STROKE (c.c)		A (mm)	B (mm)	C (mm)	D (uni* / mpt)	E (mm)	F (mm)	G (mm)	H (mm)	WEIGHT (kgs)
	1st STAGE	2nd STAGE		1st STAGE	2nd STAGE									
TM-AHH1000	13.8	1000	1000	12.9	1.65	539	501	127	3 / 8"	-	-	110	77	3.5
TM-AHH1500	13.8	1500	2000	6.5	1	699	629	157	3/4-16"*	-	-	150	102	6.7
TM-AHH2800	14	2800	1000	12.9	0.65	620	556	157	3/4-16"*	165.5	60	80	140	5.3



FOR ALL YOUR HYDRAULIC AND PNEUMATIC REQUIREMENTS