

## RC-Series, Single-Acting Cylinders



▼ From left to right: RC-506, RC-50, RC-2510, RC-154, RC-10010, RC-55, RC-1010



- The exclusive Golden Ring design absorbs eccentric loading without galling cylinder parts
- Collar threads, plunger threads and base mounting holes enable easy fixturing (on most models)
- Designed for use in all positions
- High strength alloy steel for durability
- Nickel plating available on most models (contact Enerpac for details)
- Heavy duty return springs
- Baked enamel finish for increased corrosion resistance
- CR-400 coupler and dust cap included on all models
- Plunger wiper reduces contamination, extending cylinder life.

▼ Stage lifting set up in Greece, where assembled pipes, 25 meters in length, were stage lifted with six RC-2514 cylinders.



## The Industry Standard General Purpose Cylinder



### Saddles

All RC cylinders are equipped with hardened removable grooved saddles. For tilt and flat saddles, see the RC-Series accessory page.

Page: 10



### Base Plates

To ensure the stability of cylinders for lifting applications, base plates are available for 10, 25 and 50 ton RC cylinders.

Page: 10



### Specialty Attachments

For solving all kinds of application problems, specialty attachments are available for 5, 10 and 25 ton RC cylinders.

Page: 167

▼ RC cylinder mounting attachments greatly extend the application possibilities (available for 5, 10, 15 and 25 ton cylinders).



We offer a Full Range of Hydraulic Products from a comprehensive range of manufacturers to bring you the products and systems most suited to your applications



## Single-Acting, General Purpose Cylinders




### Golden Ring Design

The exclusive Golden Ring Design is a unique bearing design which absorbs eccentric load stresses to protect your cylinder against abrasion, over-extending or plunger blow-outs and jamming or top-end mushrooming. As a result, Golden Ring cylinders provide long, trouble-free operation.

### ▼ QUICK SELECTION CHART

For complete technical information see next page.

Cylinder Capacity	Stroke	Model Number	Cylinder Effective Area	Oil Capacity	Collapsed Height	
ton (kN)	(mm)		(cm <sup>2</sup> )	(cm <sup>3</sup> )	(mm)	(kg)
<b>5</b> (45)	16	RC-50**	6,5	10	41	1,0
	25	RC-51	6,5	16	110	1,0
	76	RC-53	6,5	50	165	1,5
	127	RC-55*	6,5	83	215	1,9
	177	RC-57	6,5	115	273	2,4
	232	RC-59	6,5	151	323	2,8
<b>10</b> (101)	26	RC-101	14,5	38	89	1,8
	54	RC-102*	14,5	78	121	2,3
	105	RC-104	14,5	152	171	3,3
	156	RC-106*	14,5	226	247	4,4
	203	RC-108	14,5	294	298	5,4
	257	RC-1010*	14,5	373	349	6,4
	304	RC-1012	14,5	441	400	6,8
	356	RC-1014	14,5	516	450	8,2
<b>15</b> (142)	25	RC-151	20,3	51	124	3,3
	51	RC-152	20,3	104	149	4,1
	101	RC-154*	20,3	205	200	5,0
	152	RC-156*	20,3	308	271	6,8
	203	RC-158	20,3	411	322	8,2
	254	RC-1510	20,3	516	373	9,5
	305	RC-1512	20,3	619	423	10,9
	356	RC-1514	20,3	723	474	11,8
<b>25</b> (232)	26	RC-251	33,2	86	139	5,9
	50	RC-252*	33,2	166	165	6,4
	102	RC-254*	33,2	339	215	8,2
	158	RC-256*	33,2	525	273	10,0
	210	RC-258	33,2	697	323	12,2
	261	RC-2510	33,2	867	374	14,1
	311	RC-2512	33,2	1033	425	16,3
	362	RC-2514*	33,2	1202	476	17,7
<b>30</b> (295)	209	RC-308	42,1	880	387	18,1
<b>50</b> (498)	51	RC-502	71,2	362	176	15,0
	101	RC-504	71,2	719	227	19,1
	159	RC-506*	71,2	1131	282	23,1
	337	RC-5013	71,2	2399	460	37,6
<b>75</b> (718)	156	RC-756	102,6	1601	285	29,5
	333	RC-7513	102,6	3417	492	59,0
<b>95</b> (933)	168	RC-1006	133,3	2239	357	59,0
	260	RC-10010	133,3	3466	449	72,6

\* Available as set, see note on this page.

\*\* RC-50 cylinder has a non removable grooved saddle and no collar thread.

### RC Series



Capacity:

**5 - 95 ton**

Stroke:

**16 - 362 mm**

Maximum Operating Pressure:

**700 bar**



### Think Safety

Manufacturer's rating of load and stroke are maximum safe limits.

Good practice encourages using only 80% of these ratings.

Page: 240



### Lightweight Aluminium Cylinders

If you need a higher cylinder capacity-to-weight-ratio the RAC-Series are the perfect choice.

Page: 13

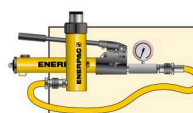


### Gauges

Minimize the risk of overloading and ensure long, dependable service from your equipment. Refer

to the System Components Section for a full range of gauges.

Page: 118



### Cylinder-Pump Sets

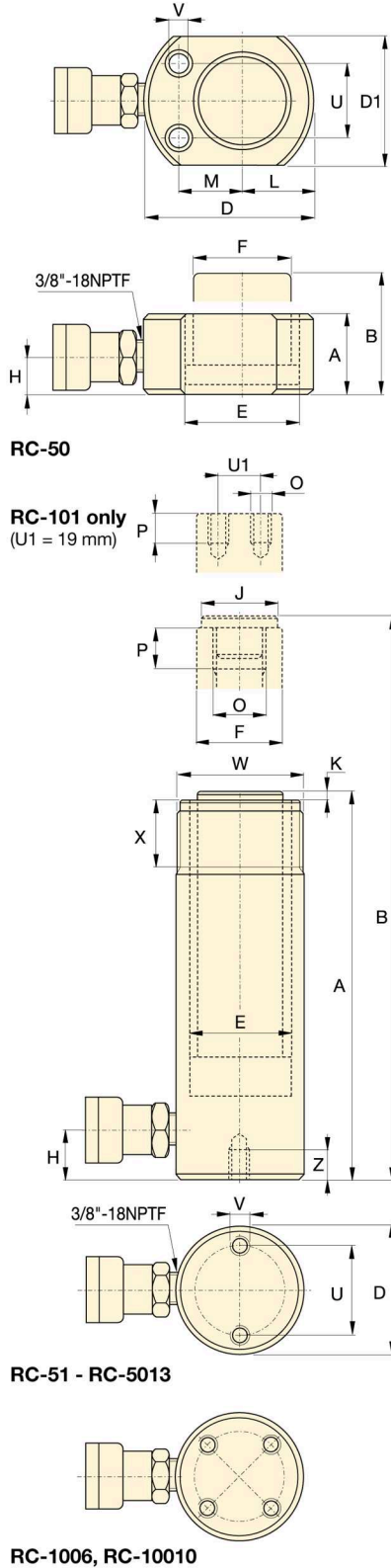
All cylinders marked with an \* are available as sets (cylinder, gauge, couplers, hose and pump) for your ordering convenience.

Page: 62

We offer a Full Range of Hydraulic Products from a comprehensive range of manufacturers to bring you the products and systems most suited to your applications



# RC-Series, Single-Acting Cylinders



**i Speed Chart**  
See the Enerpac Cylinder Speed Chart in our 'Yellow Pages' to determine your approximate cylinder speed.

Page: **249**

◀ For full features see previous page.

Cylinder Capacity	Stroke	Model Number	Cylinder Effective Area	Oil Capacity	Collapsed Height	Extended Height	Outside Dia.
ton (kN)	(mm)		(cm <sup>2</sup> )	(cm <sup>3</sup> )	A (mm)	B (mm)	D (mm)
<b>5</b> (45)	16	<b>RC-50**</b>	6,5	10	41	57	58***
	25	<b>RC-51</b>	6,5	16	110	135	38
	76	<b>RC-53</b>	6,5	50	165	241	38
	127	<b>RC-55*</b>	6,5	83	215	342	38
	177	<b>RC-57</b>	6,5	115	273	450	38
	232	<b>RC-59</b>	6,5	151	323	555	38
<b>10</b> (101)	26	<b>RC-101</b>	14,5	38	89	115	57
	54	<b>RC-102*</b>	14,5	78	121	175	57
	105	<b>RC-104</b>	14,5	152	171	276	57
	156	<b>RC-106*</b>	14,5	226	247	403	57
	203	<b>RC-108</b>	14,5	294	298	501	57
	257	<b>RC-1010*</b>	14,5	373	349	606	57
	304	<b>RC-1012</b>	14,5	441	400	704	57
	356	<b>RC-1014</b>	14,5	516	450	806	57
<b>15</b> (142)	25	<b>RC-151</b>	20,3	51	124	149	69
	51	<b>RC-152</b>	20,3	104	149	200	69
	101	<b>RC-154*</b>	20,3	205	200	301	69
	152	<b>RC-156*</b>	20,3	308	271	423	69
	203	<b>RC-158</b>	20,3	411	322	525	69
	254	<b>RC-1510</b>	20,3	516	373	627	69
	305	<b>RC-1512</b>	20,3	619	423	728	69
	356	<b>RC-1514</b>	20,3	723	474	830	69
<b>25</b> (232)	26	<b>RC-251</b>	33,2	86	139	165	85
	50	<b>RC-252*</b>	33,2	166	165	215	85
	102	<b>RC-254*</b>	33,2	339	215	317	85
	158	<b>RC-256*</b>	33,2	525	273	431	85
	210	<b>RC-258</b>	33,2	697	323	533	85
	261	<b>RC-2510</b>	33,2	867	374	635	85
	311	<b>RC-2512</b>	33,2	1033	425	736	85
	362	<b>RC-2514*</b>	33,2	1202	476	838	85
<b>30</b> (295)	209	<b>RC-308</b>	42,1	880	387	596	101
<b>50</b> (498)	51	<b>RC-502</b>	71,2	362	176	227	127
	101	<b>RC-504</b>	71,2	719	227	328	127
	159	<b>RC-506*</b>	71,2	1131	282	441	127
	337	<b>RC-5013</b>	71,2	2399	460	797	127
<b>75</b> (718)	156	<b>RC-756</b>	102,6	1601	285	441	146
	333	<b>RC-7513</b>	102,6	3417	492	825	146
<b>95</b> (933)	168	<b>RC-1006</b>	133,3	2239	357	525	177
	260	<b>RC-10010</b>	133,3	3466	449	709	177

\* Available as set, see note on this page.

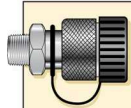
\*\* RC-50 cylinder has a non removable grooved saddle and no collar thread.

\*\*\* D1 = 41 mm, L = 20 mm, M = 25 mm.

We offer a Full Range of Hydraulic Products from a comprehensive range of manufacturers to bring you the products and systems most suited to your applications



## Single-Acting, General Purpose Cylinders



**Couplers Included!**  
CR-400 couplers included on all models. Fits all HC-Series hoses.

Capacity:  
**5 - 95 ton**

Stroke:  
**16 - 362 mm**

Maximum Operating Pressure:  
**700 bar**

**RC Series**



Cylinder Bore Dia. E (mm)	Plunger Dia. F (mm)	Base to Adv. Port H (mm)	Saddle Dia. J (mm)	Saddle Protr. from Plgr. K (mm)	Plunger Internal Thread O	Plunger Thread Length P (mm)	Base Mounting Holes			Collar Thread W	Collar Thread Length X (mm)	Weight (kg)	Model Number
							Bolt Circle U (mm)	Thread V	Thd. Depth Z (mm)				
28,7	25,4	19	**	**	**	**	28	5,6 mm	—	—	—	1,0	RC-50**
28,7	25,4	19	25	6	3/4" - 16	14	25	1/4" - 20UN	14	1 1/2" - 16	28	1,0	RC-51
28,7	25,4	19	25	6	3/4" - 16	14	25	1/4" - 20UN	14	1 1/2" - 16	28	1,5	RC-53
28,7	25,4	19	25	6	3/4" - 16	14	25	1/4" - 20UN	14	1 1/2" - 16	28	1,9	RC-55*
28,7	25,4	19	25	6	3/4" - 16	16	25	1/4" - 20UN	14	1 1/2" - 16	28	2,4	RC-57
28,7	25,4	19	25	6	3/4" - 16	16	25	1/4" - 20UN	14	1 1/2" - 16	28	2,8	RC-59
42,9	38,1	19	—	—	#10 - 24UN	6	39	5/16" - 18UN	12	2 1/4" - 14	26	1,8	RC-101
42,9	38,1	19	35	6	1" - 8	19	39	5/16" - 18UN	12	2 1/4" - 14	26	2,3	RC-102*
42,9	38,1	19	35	6	1" - 8	19	39	5/16" - 18UN	12	2 1/4" - 14	26	3,3	RC-104
42,9	38,1	19	35	6	1" - 8	19	39	5/16" - 18UN	12	2 1/4" - 14	26	4,4	RC-106*
42,9	38,1	19	35	6	1" - 8	19	39	5/16" - 18UN	12	2 1/4" - 14	26	5,4	RC-108
42,9	38,1	19	35	6	1" - 8	19	39	5/16" - 18UN	12	2 1/4" - 14	26	6,4	RC-1010*
42,9	38,1	19	35	6	1" - 8	19	39	5/16" - 18UN	12	2 1/4" - 14	26	6,8	RC-1012
42,9	38,1	19	35	6	1" - 8	19	39	5/16" - 18UN	12	2 1/4" - 14	26	8,2	RC-1014
50,8	41,4	19	38	9	1" - 8	25	48	3/8" - 16UN	12	2 3/4" - 16	30	3,3	RC-151
50,8	41,4	19	38	9	1" - 8	25	48	3/8" - 16UN	12	2 3/4" - 16	30	4,1	RC-152
50,8	41,4	19	38	9	1" - 8	25	48	3/8" - 16UN	12	2 3/4" - 16	30	5,0	RC-154*
50,8	41,4	25	38	9	1" - 8	25	48	3/8" - 16UN	12	2 3/4" - 16	30	6,8	RC-156*
50,8	41,4	25	38	9	1" - 8	25	48	3/8" - 16UN	12	2 3/4" - 16	30	8,2	RC-158
50,8	41,4	25	38	9	1" - 8	25	48	3/8" - 16UN	12	2 3/4" - 16	30	9,5	RC-1510
50,8	41,4	25	38	9	1" - 8	25	48	3/8" - 16UN	12	2 3/4" - 16	30	10,9	RC-1512
50,8	41,4	25	38	9	1" - 8	25	48	3/8" - 16UN	12	2 3/4" - 16	30	11,8	RC-1514
65,0	57,2	25	50	10	1 1/2" - 16	19	58	1/2" - 13UN	19	3 5/16" - 12	49	5,9	RC-251
65,0	57,2	25	50	10	1 1/2" - 16	25	58	1/2" - 13UN	19	3 5/16" - 12	49	6,4	RC-252*
65,0	57,2	25	50	10	1 1/2" - 16	25	58	1/2" - 13UN	19	3 5/16" - 12	49	8,2	RC-254*
65,0	57,2	25	50	10	1 1/2" - 16	25	58	1/2" - 13UN	19	3 5/16" - 12	49	10,0	RC-256*
65,0	57,2	25	50	10	1 1/2" - 16	25	58	1/2" - 13UN	19	3 5/16" - 12	49	12,2	RC-258
65,0	57,2	25	50	10	1 1/2" - 16	25	58	1/2" - 13UN	19	3 5/16" - 12	49	14,1	RC-2510
65,0	57,2	25	50	10	1 1/2" - 16	25	58	1/2" - 13UN	19	3 5/16" - 12	49	16,3	RC-2512
65,0	57,2	25	50	10	1 1/2" - 16	25	58	1/2" - 13UN	19	3 5/16" - 12	49	17,7	RC-2514*
73,2	57,2	57	50	10	1 1/2" - 16	25	—	—	—	3 5/16" - 12	49	18,1	RC-308
95,2	79,5	33	71	2	—	—	95	1/2" - 13UN	19	5" - 12	55	15,0	RC-502
95,2	79,5	33	71	2	—	—	95	1/2" - 13UN	19	5" - 12	55	19,1	RC-504
95,2	79,5	35	71	2	—	—	95	1/2" - 13UN	19	5" - 12	55	23,1	RC-506*
95,2	79,5	35	71	2	—	—	95	1/2" - 13UN	19	5" - 12	55	37,6	RC-5013
114,3	95,2	30	71	5	—	—	—	—	—	5 3/4" - 12	44	29,5	RC-756
114,3	95,2	30	71	5	—	—	—	—	—	5 3/4" - 12	44	59,0	RC-7513
130,3	104,9	41	71	2	—	—	140	3/4" - 10UN	25	6 7/8" - 12	44	59,0	RC-1006
130,3	104,9	41	71	2	—	—	140	3/4" - 10UN	25	6 7/8" - 12	44	72,6	RC-10010

We offer a Full Range of Hydraulic Products from a comprehensive range of manufacturers to bring you the products and systems most suited to your applications



# Cylinder Accessories



## ▼ SELECTION CHART

For use with Cylinder Capacity  ton (kN)	Saddles			Base Plate	Mounting Block	Clevis Eyes	
	Flat	Grooved <sup>1)</sup>	Tilt			Base <sup>4)</sup>	Plunger
5 (45)	A-53F <sup>2)</sup>	A-53G <sup>2)</sup>	-	-	RB-5 <sup>2)</sup> , AW-51 <sup>2)</sup> , AW-53 <sup>2)</sup>	REB-5 <sup>2)</sup>	REP-5 <sup>2)</sup>
10 (101)	A-12 <sup>3)</sup> , A-102F <sup>3)</sup>	A-102G <sup>3)</sup>	CAT-10 <sup>3)</sup>	JB-10	RB-10, AW-102	REB-10	REP-10 <sup>3)</sup>
15 (142)	-	A-152G	CAT-10	-	RB-15	REB-15	REP-10
25 (232)	A-29 <sup>5)</sup>	A-252G	CAT-50	JB-25	RB-25	REB-25	REP-25
30 (295)	A-29 <sup>5)</sup>	A-252G	CAT-50	-	RB-25	-	REP-25
50 (498)	-	-	CAT-100	JB-50	-	-	-
75 (718)	-	-	CAT-100	-	-	-	-
95 (933)	-	-	CAT-100	-	-	-	-

<sup>1)</sup> Standard on 5-30 ton RC-cylinders   <sup>2)</sup> Except RC-50   <sup>3)</sup> Except RC-101   <sup>4)</sup> Mounting screws are included.   <sup>5)</sup> Used with Bender Sets.

## ▼ DIMENSION CHARTS

Model Nr.	Saddle Dimensions (mm)			A-53F, A-102F A-12, A-29	Model Nr.	Tilt Saddle Dimensions (mm)			Diagram
	A	B	C			A	B	C	
	Flat					Tilt			
A-53F	25	6	17		CAT-10	35	15	22	
A-102F	35	6	22		CAT-50	50	23	35	
A-12	51	48	1"-8UNC						
A-29	51	48	1 1/2"-16UNC						
	Grooved					Tilt			
A-53G	25	6	17		CAT-100	71	24	-	
A-102G	35	6	22						
A-152G	38	9	22						
A-252G	50	9	35						

Model Nr.	Base Plate Dimensions (mm)					Diagram	
	A	B	C	D	E		
JB-10	228	228	135	58	20		
JB-25	279	279	140	86	26		
JB-50	304	15	95	131	31		

Model Nr.	Mounting Block Dimensions (mm)								Diagram			
	A	B	C	D	E	F	G	H				
RB-5	1 1/2" - 16	88	76	-	25	-	-	-				
AW-51	1 1/2" - 16	70	59	10	24	54	1/4" - 20	41				
AW-53	1 1/2" - 16	72	7	7	19	57	1/4" - 20	10				
RB-10	2 1/4" - 14	114	88	-	25	-	-	-				
AW-102	2 1/4" - 14	100	82	16	30	76	7/16" - 20	58				
RB-15	2 3/4" - 16	101	114	-	38	-	-	-				
RB-25	3 5/16" - 12	127	165	-	50	-	-	-				

Type	Model Nr.	Clevis Eye Dimensions (mm)						Pin-to-Pin * (mm)	Diagram
		A	B	C	D	E	F		
Base <sup>4)</sup>	REB-5	44	47	14	16	16	25	60,2	
	REB-10	63	66	25	22	25	35	78,0	
	REB-15	76	66	25	22	25	35	78,0	
	REB-25	95	79	38	31	31	41	87,6	
Plunger	REP-5	28	41	14	16	16	19	-	
	REP-10	42	61	25	22	25	28	-	
	REP-25	57	74	38	31	31	35	-	

<sup>4)</sup> Mounting screws are included.

\* Pin to Pin- REB and REP Clevises fitted. Add cylinder stroke length.

We offer a Full Range of Hydraulic Products from a comprehensive range of manufacturers to bring you the products and systems most suited to your applications

