

## BKHB 2 Way Ball Shut Off Valves

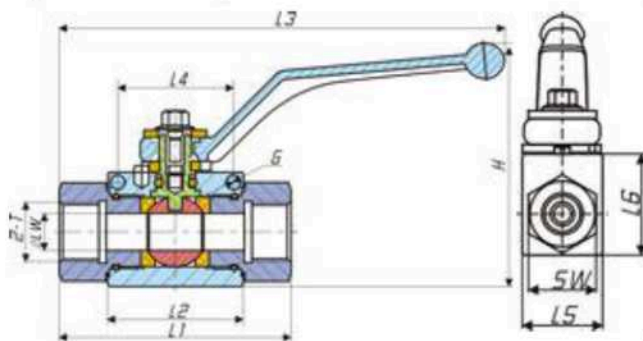
### 2-WAY HIGH PRESSURE BALL VALVE (CARBON STEEL)



Without Mounting Holes



With Mounting Holes



• **INTERCHANGE** : PISTER BKH SERIES, MHA BKH SERIES, HYDAC KHB, KHM SERIES, CIOCCA CRHI2 SERIES, GEMELS GE2 SERIES, HOLMBURY HCV-2 SERIES

• **SPECIFICATIONS** :

- Body: carbon steel
- Ball: stainless steel or carbon steel
- Handle: Zinc Alloy
- Standard O-Rings: NBR
- On request O-Rings: Viton, Neoprene, EPDM or other seals.
- Ball seals: DELRIN (POM)
- Temperature Range: -20°C+120°C/-4°F+250°F
- Surface treatment :Zinc plating and Cr 3<sup>+</sup> Passivation or Yellow Passivation

• **APPLICATIONS:**

Hydraulics, particularly in construction industry and agricultural machinery, water engineering, mining industry, paint industries.

Art.No.	Size	Max. Working Pressure	ΦLW	L1	L2	L3	H	G	L4	L5	L6	T
BKHB14	1/4"	500 bar	Φ6	69	40	152	78	4.5	26	26	33	1/4BSPP(NPT)
BKHB38	3/8"	500 bar	Φ10	71	42	154	84	5.2	32	33	38	3/8BSPP(NPT)
BKHB12	1/2"	500 bar	Φ13	82	48	159	86	6.5	37.5	36	40	1/2BSPP(NPT)
BKHB34	3/4"	315 bar	Φ20	96	62	219	119	6.5	45	49	57	3/4BSPP(NPT)
BKHB1	1"	315 bar	Φ25	113	66	228	128	8.5	55	58	65	1BSPP(NPT)
BKHB114	1-1/4"	315 bar	Φ25	120	66	231	128	8.5	55	58	65	1-1/4BSPP(NPT)
BKHB112	1-1/2"	315 bar	Φ25	130	66	236	128	8.5	55	58	65	1-1/2BSPP(NPT)

We offer a Full Range of Hydraulic Products from a comprehensive range of manufacturers to bring you the products and systems most suited to your applications

