

Ordering code

17201C.S.T

CONNECTIONS

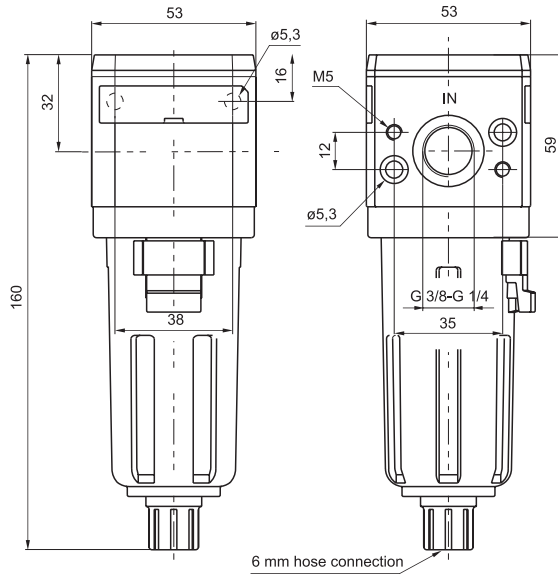
- C** A = G 1/4"
- B = G 3/8"

Filter pore size

- S** A = 5
- B = 20
- C = 50

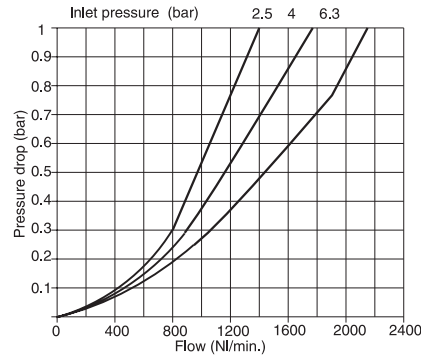
TYPE

- T** S = Automatic drain



Example: 17201A.B
Filter size 1 with G 1/8" connections and filter pore size 20 .

Flow rate curves



Construction and working characteristics

- Body made with light alloy.
- Wall mounting possibility with M5 screws protected by covers.
- Double filtering action : by air centrifuging and by replaceable and reusable HDPE porous filter element.
- Transparent technopolymer bowl with shock resistant technopolymer protection connected to the body with bayonet cap and safety button.
- Manual and semi-automatic water drain valve; in the semi-automatic version the drainage happens when there is no pressure or by pushing the valve up-wards.
- Possibility to see the water level on 360°.
- Automatic water drainage bowl available on request.

Technical characteristics

Connections	G 1/4" - G 3/8"
Max. Inlet pressure	13 bar - 1,3 MPa
Max. ambient temperature (at 10 bar)	50°C
Weight	gr. 255
Filter pore size	5 - 20 - 50
Bowl capacity	28 cm ³
Assembly position	Vertical
Wall fixing screw	M5
Max. fitting torque	25 Nm