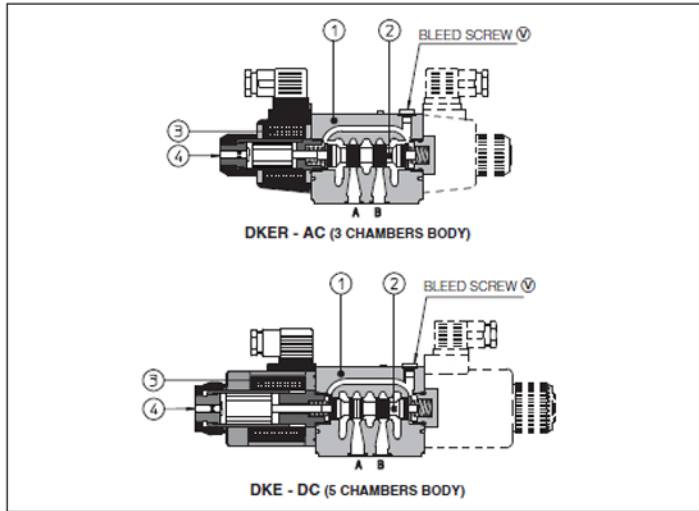




Table E025-6/E

Solenoid directional valves type DKE and DKER

direct operated, ISO 4401 size 10



1 MODEL CODE									
DKER	-	1	63	1/2	/A - X	24 DC	**	/*	
Directional control valves ISO 4401 size 10 DKE = standard solenoids DKER = high performances solenoids									
Valve configuration, see section 2									
61 = single solenoid, 2 external positions, spring centered									
63 = single solenoid, 2 external positions, spring offset									
67 = single solenoid, center plus external position, spring offset									
70 = double solenoid, 2 external positions, without springs									
71 = double solenoid, 3 positions, spring centered									
75 = double solenoid, 2 external positions, with detent									
Other configurations are available on request.									
Spool type, see section 2									
Seals material: omit for NBR (mineral oil & water glycol) PE = FPM									
Series number									
Voltage code, see section 5									
00-AC = AC solenoids without coils 00-DC = DC solenoids without coils X = without connector See note 2 at section 2 for available connectors, to be ordered separately Coils with special connectors, see section 2 XJ = AMP junior Timer connector XK = Deutsch connector (only DKE) XS = Lead Wire connection (only DKE)									
Options, see note 1 at section 2									

Spool type, direct operated solenoid valves available in two different versions:

DKE basic version equipped with standard solenoids

DKER high performance version equipped with improved force solenoids certified according the North American standard **CUR US**

Configurations and construction

The valves are available in three or four way configurations and with two or three spool positions, see section 2.

The spools (2) are interchangeable and they are available in a wide range of hydraulic configurations, see section 2.

The solenoids (3) have two different executions for AC or DC power supply and they are composed by:

- wet type screwed tube with integrated manual override pin (4) (the tube are different for AC and DC power supply).
- AC and DC coils see section 5

The coils are interchangeable for the same type of power supply AC or DC and they can be easily replaced without tools (they are not interchangeable between DKE and DKER)

The coils are fully encapsulated with the following temperature classes:

- class H for DC coils
- class F for AC coils

The valve body (1) is 5 chambers type, for all DC versions and for AC version with option /F*. Standard AC version use 3 chambers type body.

The optimized internal flow paths, largely cored with extrawide channels to the tank port, ensure low pressure drops.

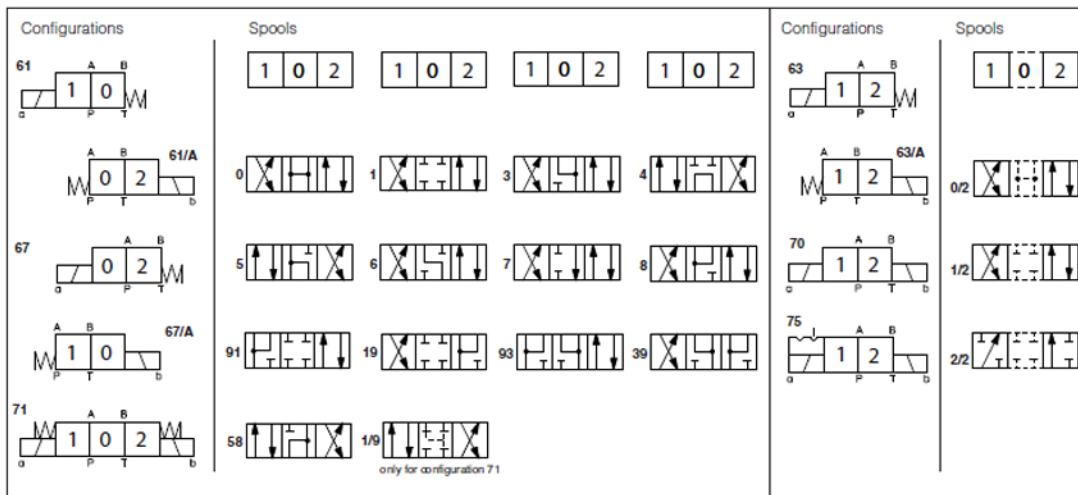
Options

The following optional devices are available for DKE and DKER:

- prolonged manual override protected with rubber cap for easy hand operation
- control devices of the valve switching time
- spool position monitor devices for safety applications
- external drain port Y for high tank pressure (only DC version)

Surface mounting ISO 4401 size 10
Max flow up to 150 l/min
Max pressure: 350 bar

2 CONFIGURATIONS and SPOOLS



We offer a Full Range of Hydraulic Products from a comprehensive range of manufacturers to bring you the products and systems most suited to your applications



3 MAIN CHARACTERISTICS OF DKE AND DKER DIRECTIONAL VALVES

Assembly position / location	Any position for all valves except for type - 170° (without springs) that must be installed with horizontal axis if operated by impulses
Subplate surface finishing	Roughness index Ra 0,4 - flatness ratio 0,01/100 (ISO 1101)
Ambient temperature	from -20°C to +70°C.
Fluid	Hydraulic oil as per DIN 51524 535; for other fluids see section 11
Recommended viscosity	15 ÷ 100 mm ² /s at 40°C (ISO VG 15 ÷ 100)
Fluid contamination class	ISO 4406 class 21/19/16 NAS 1638 class 10, in line filters of 25 µm (β ₂₅ > 75 recommended)
Fluid temperature	-20°C +60°C (standard seals and water glycol) -20°C +80°C (PE seals)
Flow direction	As shown in the symbols of table 2
Operating pressure	DKE Ports P, A, B: 350 bar
For versions with proximity switches (/FC, /FI and /FIE versions) port Y must be drained	DKER Ports P,A,B: 350 bar ; Port T: 160 bar for AC solenoid; 210 bar for DC solenoids; 250 bar for option /Y
Rated flow	See diagrams Q/Ap at section 7
Maximum flow	150 l/min , see operating limits at section 8

4.1 Coils characteristics

Insulation class	H (180°C) for DC coils F (155°C) for AC coils Due to the occurring surface temperatures of the solenoid coils, the European standards EN ISO 13732-1 and EN ISO 4413 must be taken into account
Connector protection degree	IP 65
Relative duty factor	100%
Supply voltage and frequency	See electric feature 5
Supply voltage tolerance	± 10%
Certification (only for DKER)	cURus

4 NOTES

1 Options

- A** = Solenoid mounted at side of port B (only for single solenoid valves). In standard versions, solenoid is mounted at side of port A.
- WP** = prolonged manual override protected by rubber cap - see section 13.
- WPD/KER-DC** = (only for DKER-DC) manual override with detent, to be ordered separately, see tab. K150
- L, L1, L2, L3, LR, L7, L8** see section 11 = device for switching time control (only for DC solenoids). L7 and L8 are available only for DKE with spool type 0/1, 1/1, 3/1, 4 and 5.
- F*** = 5 chambers body for DC and AC versions with proximity switch for spool position monitoring: see tab. E110.
- Y** = external drain, only for DC version, to be selected if the pressure at T port is higher than the max allowed limits.

2 Type of electric connectors DIN 43650, to be ordered separately - see section 14.

- 666** = standard connector IP-65 for direct connection to electric supply source.
- 667** = as 666, but with built-in signal led.
- 669** = with built-in rectifier bridge for supplying DC coils by alternate current (AC 110V and 230V - I_{max} 1A).

3 Spools

- spools type **0** and **3** are also available as **0/1** and **3/1** with restricted oil passages in central position, from user ports to tank.
- spools type **1** is also available as **1/1**, properly shaped to reduce the water-hammer shocks during the switching.
- spool type **1/3** (only for execution DKE(R)-1611/3/AY DC version) is particularly used as shut-off valve for safety applications, consult our technical office.
- spool type **1/9** has closed center in rest position but it avoids the pressurization of A and B ports due to the internal leakages.
- other types of spools can be supplied on request.

5 ELECTRIC FEATURES

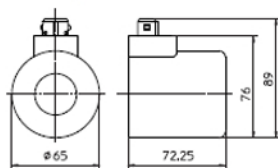
External supply nominal voltage ± 10%	Voltage code	Type of connector	Power consumption (2)	Code of spare coil		
				DKE	DKER	
12 DC	12 DC	666 or 667	36 W (DKE) 39 W (DKER)	CAE-12DC	CAER-12DC	
14 DC	14 DC			CAE-14DC	CAER-14DC	
24 DC	24 DC			CAE-24DC	CAER-24DC	
28 DC	28 DC			CAE-28DC	CAER-28DC	
110 DC	110 DC			CAE-110DC	CAER-110DC	
125 DC	125 DC			-	CAER-125DC	
220 DC	220 DC		CAE-220DC	CAER-220DC		
110/50/60 AC	110/50/60 AC		669	85 VA (DKE) 105 VA (DKER) (3)	CAE-110/50/60AC (1)	CAER-110/50/60AC (1)
230/50/60 AC	230/50/60 AC				CAE-230/50/60AC (1)	CAER-230/50/60AC (1)
115/60 AC	115/60 AC				CAE-115/60AC	CAER-115/60AC
230/60 AC	230/60 AC	CAE-230/60AC			CAER-230/60AC	
110/50/60 AC	110 DC	CAE-110DC			CAER-110DC	
230/50/60 AC	220 DC	CAE-220DC			CAER-220DC	

- (1) In case of 60 Hz voltage frequency the performances are reduced by 10÷15% and the power consumption is 80 VA for DKE and 90 VA for DKER.
- (2) Average values based on tests performed at nominal hydraulic condition and ambient/coil temperature of 20°C.
- (3) When solenoid is energized, the inrush current is approx 3 times the holding current. Inrush current values correspond to a power consumption of about 280 VA for DKE and 320 VA for DKER.

6 COILS TYPE CAE* and CAER* WITH SPECIAL CONNECTORS (only for 12DC, 14DC, 24DC and 28DC)

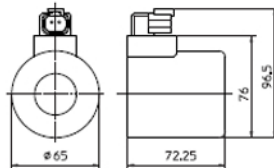
Options -XJ

Coil type CAEJ, CAERJ
AMP Junior Timer connector
Protection degree IP67



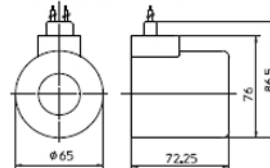
Options -XK

Coil type CAEK
Deutsch connector, DT-04-2P male
Protection degree IP67



Options -XS

Coil type CAES
Lead Wire connection
Cable length = 180 mm

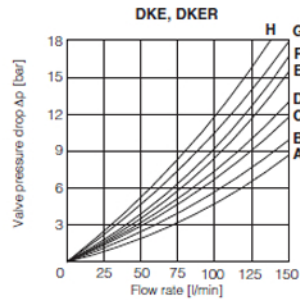


We offer a Full Range of Hydraulic Products from a comprehensive range of manufacturers to bring you the products and systems most suited to your applications



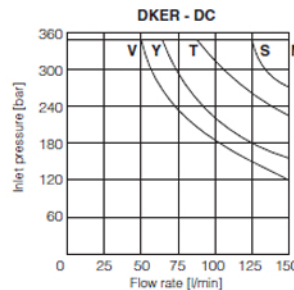
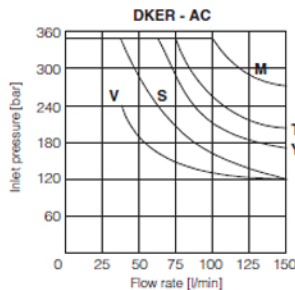
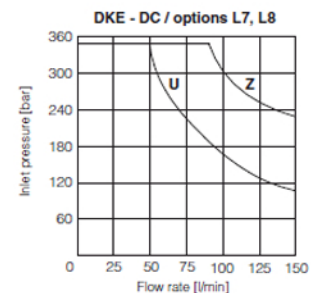
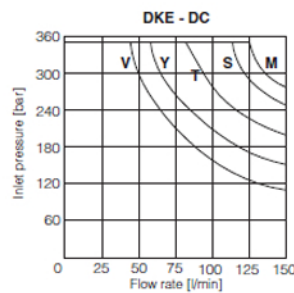
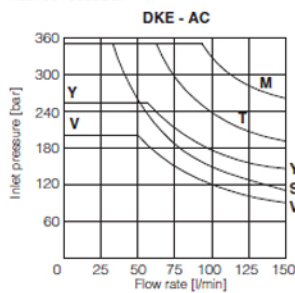
7 Q/P DIAGRAMS based on mineral oil ISO VG 46 at 50°C

Flow direction \ Spool type	P→A	P→B	A→T	B→T	P→T	B→A
0, 0/1, 0/2, 2/2	A	A	B	B		
1, 1/1, 1/3, 6, 8	A	A	D	C		
3, 3/1, 7	A	A	C	D		
4	B	B	B	B	F	
5	A	B	C	C	G	
1/2	B	C	C	B		
2/7	D			F		
5/7	B			A	E	
19	A	D	C			H



8 OPERATING LIMITS based on mineral oil ISO VG 46 at 50°C

The diagrams have been obtained with warm solenoids and power supply at lowest value ($V_{nom} - 10\%$). The curves refer to application with symmetrical flow through the valve (i.e. P→A and B→T). In case of asymmetric flow and if the valves have the devices for controlling the switching times the operating limits must be reduced.



Curve	Spool type	
	AC	DC
M	0/1, 5/7, 1/3	0, 0/1, 1, 1/1, 3, 3/1, 1/2, 0/2, 8
S	2/7, 4, 5, 19	1/3, 5/7, 6, 7
Y	1, 1/2, 0/2	4, 5, 2/7
V	6, 7, 8, 2/2	2/2
T	0, 1/1, 3, 3/1	19
U	-	4, 5
Z	-	0/1, 1/1, 3/1

9 SWITCHING TIMES (average values in msec)

Valve	Switch-on AC	Switch-on DC	Switch-off AC	Switch-off DC
DKE / DKER + 666 / 667	40	60	25	35
DKE / DKER + 669	60	—	90	—
DKE-*/L* - DKER-*/L*	—	75÷150	—	45÷150
DKE-*/L7 - DKER-*/L8	—	100÷150	—	100÷150

Test conditions:

- 50 l/min; 150 bar
- nominal supply voltage
- 2 bar of back pressure on port T
- mineral oil ISO VG 46 at 50°C

The elasticity of the hydraulic circuit and the variations of the hydraulic characteristics and temperature affect the response time.

10 SWITCHING FREQUENCY

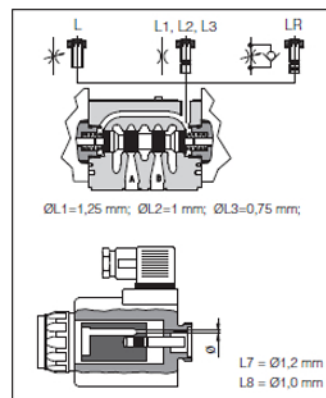
Valve	AC (cycles/h)	DC (cycles/h)
DKE / DKER + 666 / 667	7200	15000

11 DEVICES FOR SWITCHING TIME CONTROL

These devices are only available for DC valve version (5 chambers body) and can control the switching time and therefore reduce the coil hammering in the hydraulic circuit. The different types are available shown in the figure.

- **L**: controls and regulates the switching time in both moving directions of the spool: regulation is carried out by screwing/unscrewing the element itself (regulating choke);
- **L1/L2/L3**: controls the switching time in both moving directions of the spool by means of fixed calibrated restrictor (gauged flow). The restrictor is positioned in the valve's body $\varnothing L1 = 1,25 \text{ mm}$; $\varnothing L2 = 1 \text{ mm}$; $\varnothing L3 = 0,75 \text{ mm}$;
- **LR**: controls and regulates the switching time in the B→A direction of the spool movement. The device does not control the switching time (standard time) in the opposite direction A→B of the spool movement.
- **L7/L8**: controls the switching time in both moving directions of the spool by means of fixed calibrated restrictor (gauged flow). The restrictor is installed in the solenoid's anchor.

For a correct operation of the switching time control, the passage in which the control device is installed must be completely filled with oil.



E025

We offer a Full Range of Hydraulic Products from a comprehensive range of manufacturers to bring you the products and systems most suited to your applications



12 INSTALLATION DIMENSIONS [mm]

ISO 4401: 2005
Mounting surface according to 4401-05-05-0-05
 (without X port, Y port optional)
 Fastening bolts:
 4 socket head screws M6x40 class 12.9
 Tightening torque = 15 Nm
 Seals: 5 OR 2050 and 1 OR 108
 Ports P,A,B,T: Ø = 11.5 mm (max)
 Ports Y: Ø = 5 mm

P = PRESSURE PORT
A, B = USE PORT
T = TANK PORT
Y = DRAIN PORT (only for option /Y)
 For the max pressures on ports, see section 8

DKE-16*-AC
 Mass: 3,6 kg

DKE-16*-DC
 Mass: 4,2 kg

DKE-17*-AC
 Mass: 4,3 kg

DKE-17*-DC
 Mass: 5,7 kg

DKER-16*-AC
 Mass: 3,6 kg

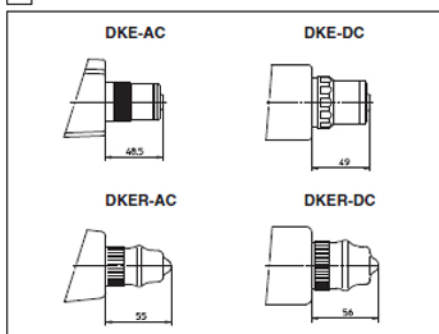
DKER-16*-DC
 Mass: 4,4 kg

DKER-17*-AC
 Mass: 4,3 kg

DKER-17*-DC
 Mass: 5,9 kg

Overall dimensions refer to valves with connectors type 666

13 OPTION /WP



14 ELECTRIC CONNECTORS ACCORDING TO DIN 43650

The connectors must be ordered separately

666, 667 (for AC or DC supply)

669 (for AC supply)

CONNECTOR WIRING		
666, 667 1 = Positive ⊕ 2 = Negative ⊖ ⊕ = Coil ground	669 1,2 = Supply voltage V _{ac} 3 = Coil ground	
SUPPLY VOLTAGES		
666 All voltages	667 24 AC or DC 110 AC or DC 220 AC or DC	110/50 AC 110/60 AC 115/60 AC 230/50 AC 230/60 AC

15 MOUNTING SUBPLATES

Model	Ports location	GAS Ports A-B-P-T (X-Y)	Ø Counterbore A-B-P-T (X-Y)	Mass [kg]
BA-308	(/Y) Ports A, B, P, T (X, Y) underneath	1/2" (1/4")	30 (21,5)	2,5
BA-428	(/Y) Ports A, B, P, T (X, Y) underneath	3/4" (1/4")	36,5 (21,5)	5,5
BA-434	(/Y) Ports P, T, (X, Y) underneath; ports A, B on lateral side	3/4" (1/4")	36,5 (21,5)	8,5

The subplates are supplied with 4 fastening bolts M6x40. Also available are multi-station subplates and modular subplates. For further details see table K280.

We offer a Full Range of Hydraulic Products from a comprehensive range of manufacturers to bring you the products and systems most suited to your applications

