

# Turbo II Air Hydraulic Pumps

▼ Shown from top to bottom: PAMG-1402N, PARG-1102N, PATG-1102N, PATG-1105N



- External adjustable pressure relief valve (behind sight glass)
- Lower air consumption and operating costs
- Return-to-tank port for use in remote valve applications
- Internal pressure relief valve provides overload protection
- Quieter operation – reduced noise level to 75 dBA reduces operator fatigue
- Operating air pressure: 1,7-8,6 bar, enables pump to start at extremely low pressure
- High efficiency cast aluminium air motor
- Reinforced heavy-duty lightweight reservoir for applications in tough environments
- Air pendant for remote control operation
- Composite air piston seal allows operation on completely dry air supply.

▼ Easily operated by hand or by foot.



## Setting New Standards... ... in efficiency and reliability



### RFL-102 Regulator-Filter-Lubricator

Recommended for use with all Turbo air pumps. Provides clean, lubricated air and allows for air pressure adjustment. Steel bowl guards are standard.



### Large Reservoir Models

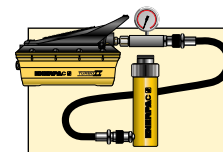
The Turbo II Air Pump is also available with an enlarged reservoir: **PATG-1105N**, **PAMG-1405N** and **PARG-1105N**.



### Hoses

Enerpac offers a complete line of high quality hydraulic hoses. To ensure the integrity of your system, specify only genuine Enerpac hydraulic hoses.

Page: 124



### Pump and Cylinder Sets

Turbo II Air Pumps are also available as sets (pump, cylinder, gauge, couplers and hose) for your ordering convenience.

Page: 64

Used with Cylinder	Usable Oil Capacity (cm <sup>3</sup> )	Model Number
Single-Acting	2081	PATG-1102N*
	3770	PATG-1105N
Single-Acting	2081	PARG-1102N
	3770	PARG-1105N
Double-Acting	2081	PAMG-1402N
	3770	PAMG-1405N

\* Available as set. See note at this page.

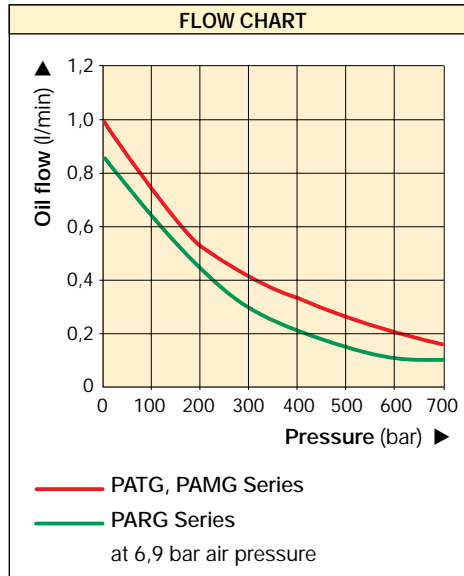
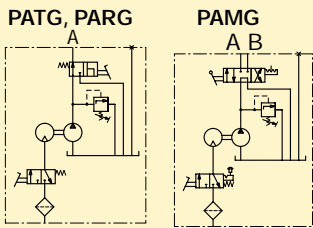
# Turbo II Air Hydraulic Pumps



PATG-models use a foot or hand operated treadle to control air and valve functions.

PAMG-models use a treadle with a locking feature to control air, and a 4-way manual valve to control hydraulics.

PARG-models use air pendant for remote control.



## PATG PAMG PARG Series



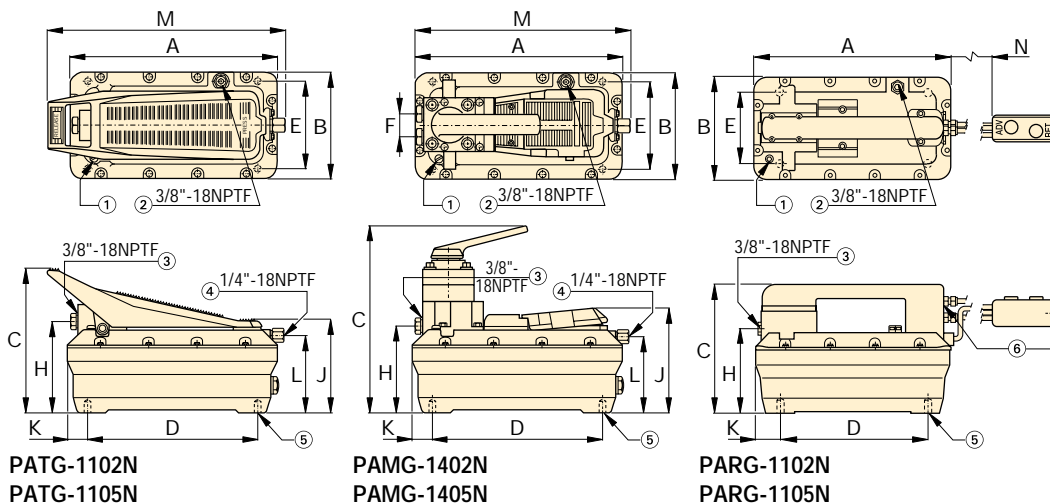
Reservoir Capacity:  
**2,5 - 5,0 litres**

Flow at Rated Pressure:  
**0,08 - 0,16 l/min**

Air Consumption:  
**227 - 340 l/min**

Maximum Operating Pressure:  
**700 bar**

Maximum Pressure (bar)	Output Flow Rate (l/min)				Pump Series	Valve function	Air Pressure Range (bar)	Air Consumption air supply to (l/min) @ 5,2 bar air		Sound Level (dBA)
	air supply to pump		air supply to pendant					Pump	Pendant	
700	1,00	0,16	-	-	PATG	Advance / Hold / Retract	1,7 - 8,6	340	-	75
700	0,76	0,08	0,84	0,10	PARG	Advance / Hold / Retract	2,8 - 10,3	227	285	75
700	1,00	0,16	-	-	PAMG	Advance / Hold / Retract	1,7 - 8,6	340	-	75



- ① Filtered 'Permanent' Tank Vent
- ② Return-to-Tank/Auxiliary Vent/Fill Tank Port
- ③ Hydraulic Output
- ④ Swivel Air Input with Filter
- ⑤ 4 Mounting Holes for #10 thread forming screw. Maximum depth into reservoir = 19 mm
- ⑥ Air Input with Filter on PARG models 1/4"-18NPTF

Valve Operation	Turbo II Dimensions (mm)													kg	Model Number
	A	B	C	D	E	F	H	J	K	L	M	N			
Treadle 3/3	313	165	211	230	102	-	129	146	42	113	347	-	8,2	PATG-1102N*	
	396	201	209	230	102	-	131	146	86	112	437	-	9,9	PATG-1105N	
Air Pendant 3/3	313	165	200	230	102	-	129	-	42	-	-	4500	10,0	PARG-1102N	
	396	201	209	230	102	-	131	-	86	-	-	4500	11,7	PARG-1105N	
Manual 4/3	313	165	267	230	102	36	130	152	42	113	315	-	11,0	PAMG-1402N	
	396	201	267	230	102	36	132	152	86	112	405	-	12,7	PAMG-1405N	