

HC-M45-AL Monoblock Valves

Features:

- HC-M45 belongs to the wide range of Hydrocontrol S.p.A. monoblock valves and is capable of working with a maximum flow of 45 litres/min. at an operating pressure of 350 bar.
- Numerous integrated valve features in addition to countless configuration options make HC-M45 highly flexible and easily adaptable to the widest applications range.
- The possibility to utilize wide variety of interchangeable spools circuit and different combinations between them, give an answer to every requirement.



HC-M45 has available:

- Special versions with left inlet.
- Direct electric control push-push type.
- Special circuits for stabilisers applications.
- Fork lift truck set up with potentiometer and microswitches.



Applications:

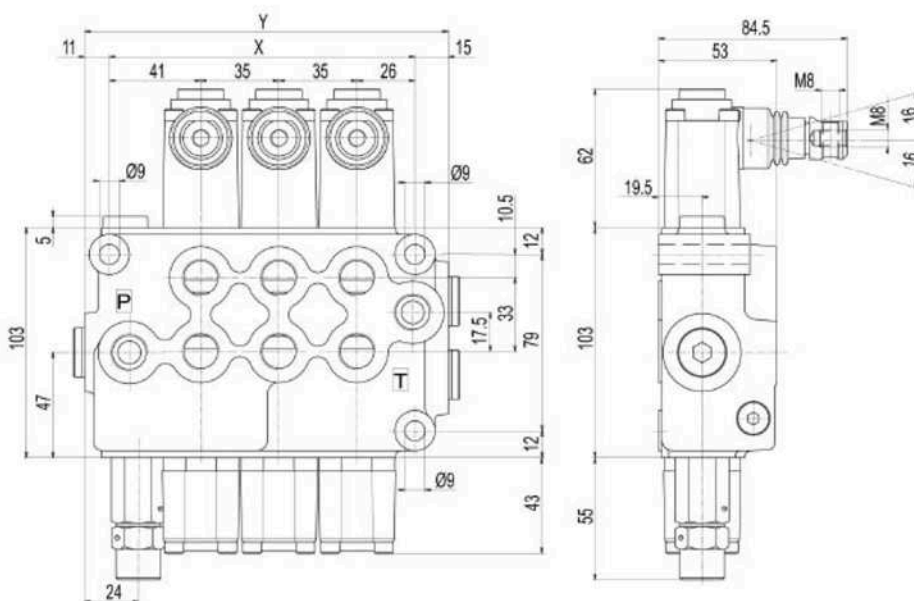
- Cranes and aerial platforms, agricultural machines, mini skid loaders, mini dumpers and forklifts.

Technical specifications:

Working section No.	Rated flow	Rated pressure	Spool stroke	Spool pitch	Circuit type
1 - 6	45 l/min	350 bar	5+5 mm	35 mm	Parallel

Dimensions:

Type	M45/1	M45/2	M45/3	M45/4	M45/5	M45/6
X (mm)	67	102	137	172	207	242
Y (mm)	93	128	163	198	233	268
Weights (Kg)	2.70	4.10	5.50	6.90	8.30	9.70
Ports	Inlet (P)		Ports (A-B)		Outlet (T)	
BSP Thread (ISO 1179-1)	G 3/8		G 3/8		G 3/8	

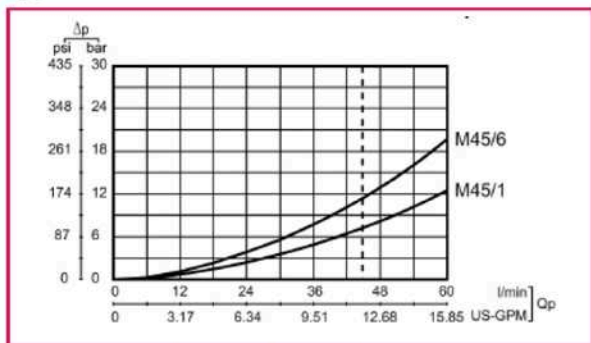


We offer a Full Range of Hydraulic Products from a comprehensive range of manufacturers to bring you the products and systems most suited to your applications

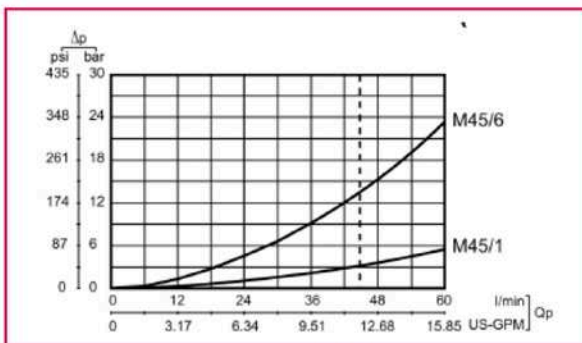


HC-M45-AL Monoblock Valves

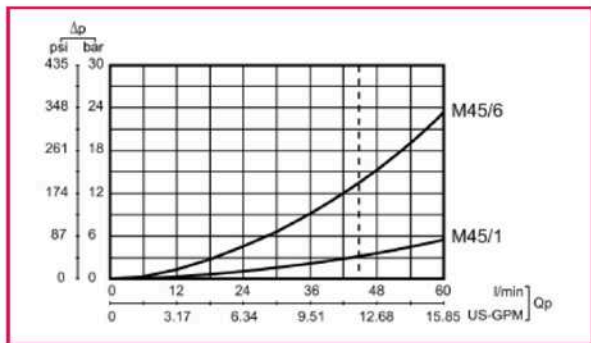
Typical curves:



Pressure drop (P - A/B)



Pressure drop (A/B - T)



Pressure drop (P - T)

Model code

HC-M45/1	IR 301 (***)	W001A	H001	F001A	MJA	G03
<p>Monoblock valve type: M45 = product type /1 - /6 = number of sections</p> <p>Inlet arrangement: IR 301 = inlet side and valve type 150 = setting (bar) IR 303 = inlet side, no relief valve</p> <p>Work section arrangement: W001A = double-acting spool W002A = double-acting spool (open centre) W005A = single-acting spool</p>						<p>G03 = outlet and thread position</p> <p>Outlet arrangement: MJA = outlet type (as standard) MMT = plus high pressure carry over</p> <p>F001A = spring centred F002A = double-acting detent (Other options available on request)</p> <p>H001 = spool actuation (lever operated)</p>

We offer a Full Range of Hydraulic Products from a comprehensive range of manufacturers to bring you the products and systems most suited to your applications

