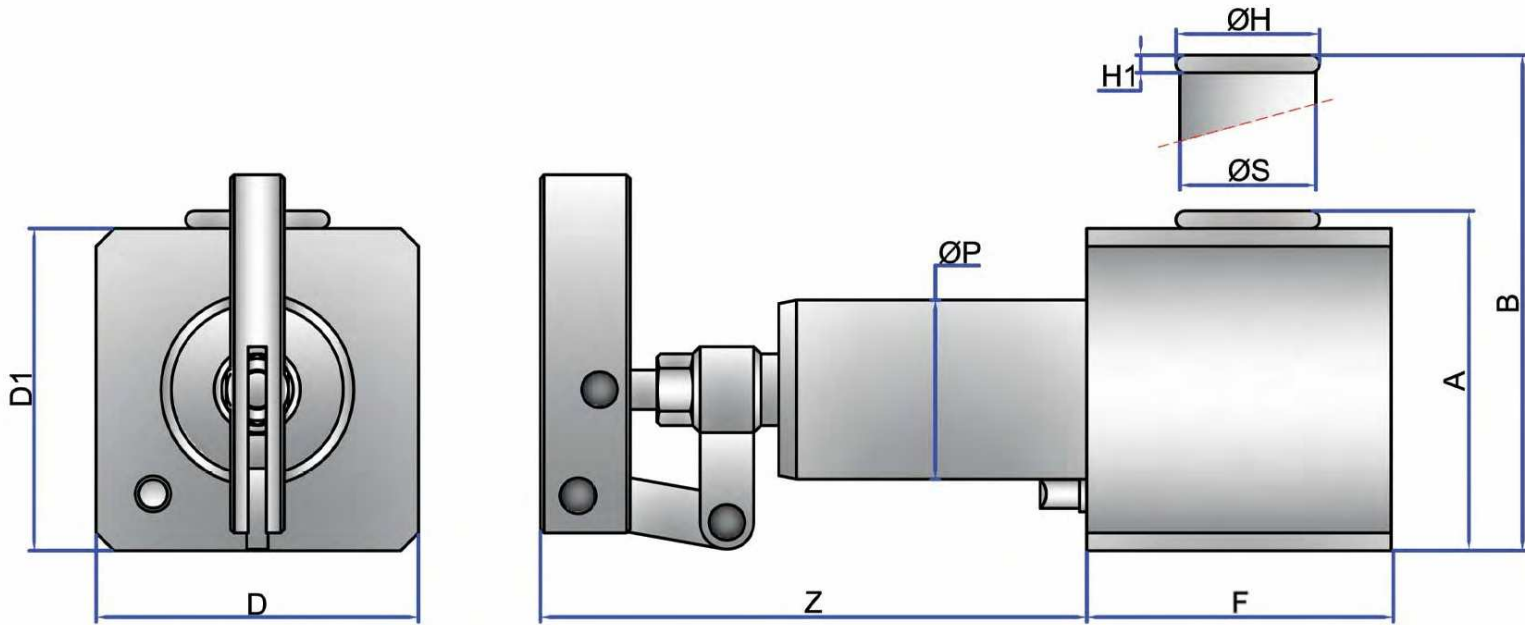


Low Height Jacks



Order Code	Stroke (mm)	A (mm)	B (mm)	H \varnothing (mm)	H1 (mm)	F (mm)	S \varnothing (mm)	P \varnothing (mm)	Z (mm)	D (mm)	D1 (mm)	Capacity (ton)
CJ100	41	95	136	40	4.9	85	37.95	53.8	153	90	90	10
CJ200	41	95	136	40	4.9	110	50.8	69.8	153	110	90	20