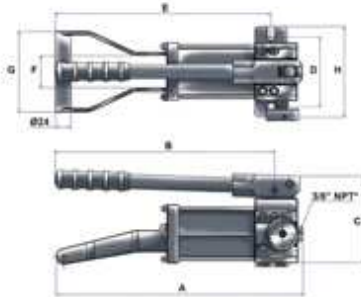
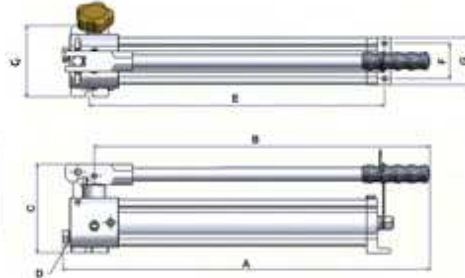


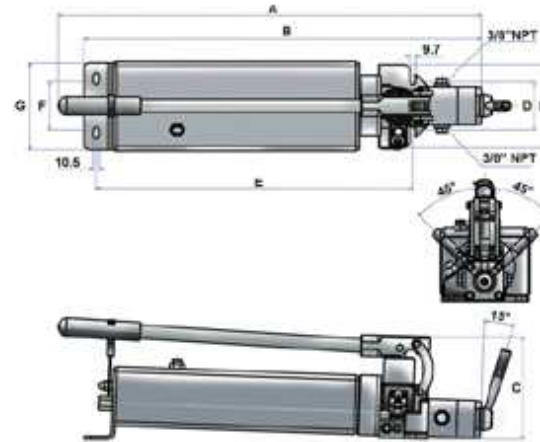
700 Bar Double Acting Hand Pumps



350cc Version



2000cc Version



3500cc Version

Order Code	PRESSURE RATING (bar)		Oil Cap (c.c)	Per Stroke (c.c)		A (mm)	B (mm)	C (mm)	D (uni* / mpt)	E (mm)	F (mm)	G (mm)	H (mm)	Weight (kgs)
	1st STAGE	2nd STAGE		1st STAGE	2nd STAGE									
TM-AHD350	13.8	700	350	13	2.8	394	373	158	120	322	50	125	140	3.9
TM-AHD3500	28	700	3500	40	3	706	663	79.7	79.7	527	80.5	146	140	16.8
TM-AHD2000	13.8	700	2000	12.9	2.3	623	556	135	3 / 8"	-	-	150	102	7



FOR ALL YOUR HYDRAULIC AND PNEUMATIC REQUIREMENTS