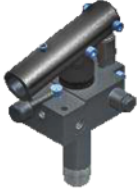
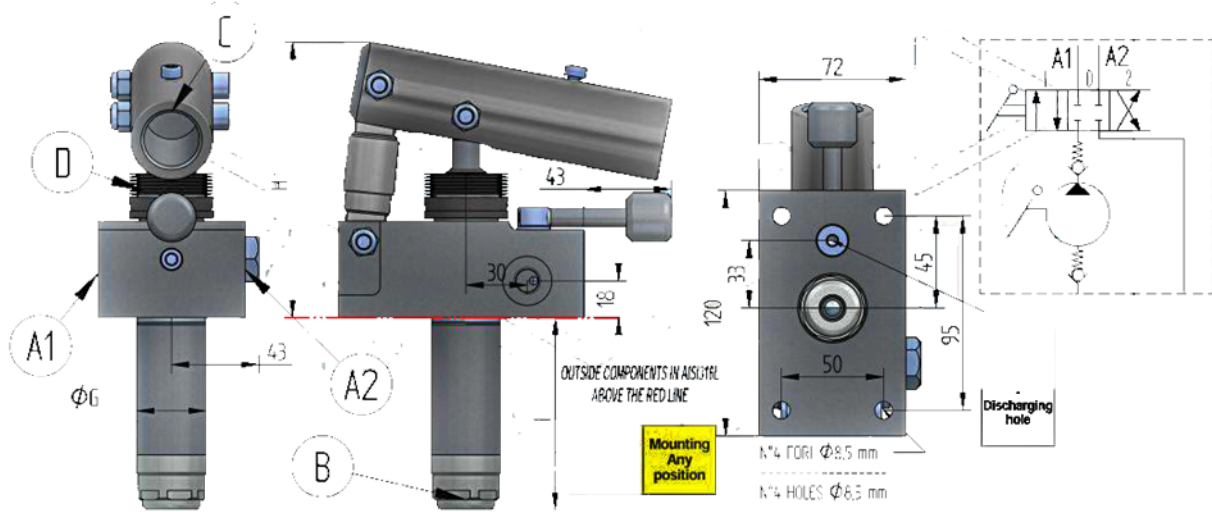


# Stainless Steel Double Acting Hand Pump



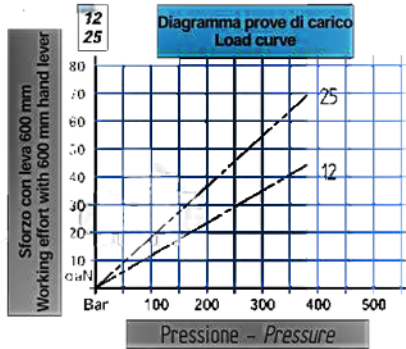
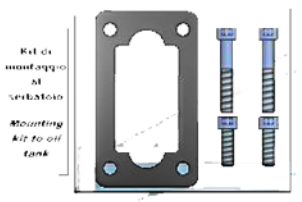
Full stainless steel hand pump for double acting systems  
 Ideal for use in nuclear, marine, offshore, food, chemical and pharmaceutical industries  
 Suitable for with water and in harsh environments  
 These pumps are built to the highest standards for the most demanding environments

**AISI316**



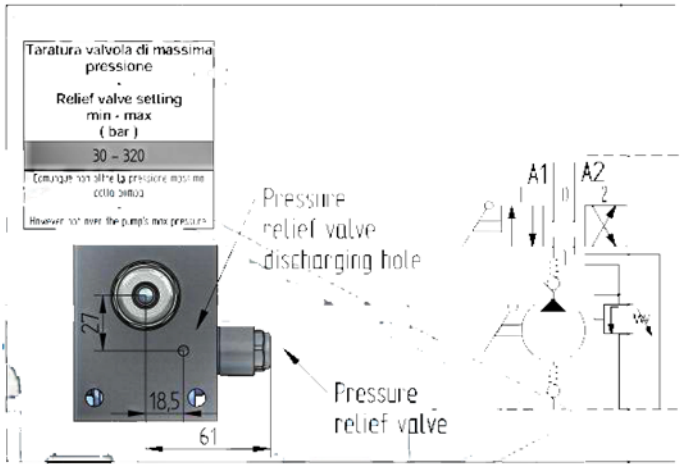
Line	Clindata Flow (cc)	Pressione massima Max pressure (bar)	Peso Weight (Kg)	H (mm)	I (mm)	G (mm)
12	125	320	4,7	135	97	34
25	194	300	4,7	135	97	34

Mandata Pressure porte	Aspirazione Suction
A1 - A2	B
1/4 GAS	
Diametro interno porta leva Lever connection diameter	Solfinetto bellows OR KLOUAS1
C	D
27 mm	



Technical data not binding. Modifications reserved without prior notice.

Contact us for Pressure Relief Valve Versions:



Taratura valvola di massima pressione
Relief valve setting min - max (bar)
30 - 320
Comunque non oltre la pressione massima della pompa
However not over the pump's max pressure

We offer a Full Range of Hydraulic Products from a comprehensive range of manufacturers to bring you the products and systems most suited to your applications

