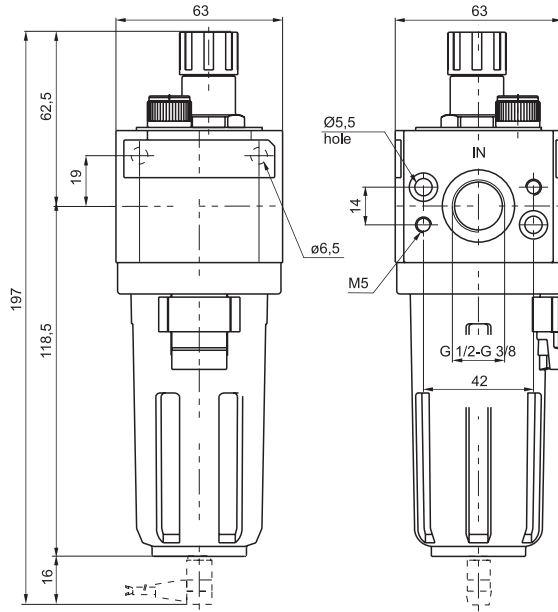


Ordering code

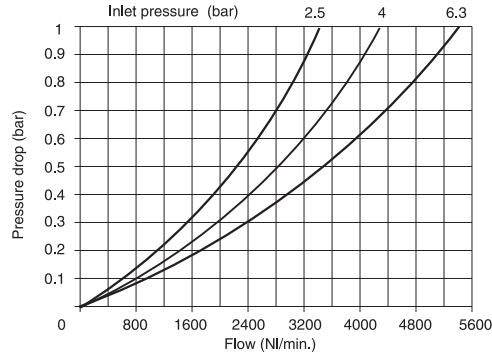
**17303C.T**

CONNECTIONS	
<b>C</b>	A = G 3/8"
	B = G 1/2"
TYPE	
	MA = Min. oil level indicator
<b>T</b>	N.O.
	MC = Min. oil level indicator
	N.C.



Example: 17303A  
Lubricator with G 3/8" connections.

Flow rate curves



**Construction and working characteristics**

- Fog type lubrication with variable section orifice according to the flow.
- Body made with light alloy.
- Wall mounting possibility with M5 screws protected by covers.
- Transparent technopolymer bowl with shock resistant technopolymer protection
- Possibility to see the min. and max. level on 360° also with bowl protection assembled.
- Bowl assembled to the body with bayonet cap and safety button.
- Transparent technopolymer sight dome with adjusting handle.
- Oil filling plug.
- Electrical connector for low level indication.
- Use the C1, C2 or C3 lead for connection (see section "Cylinders").

**Technical characteristics**

Connections	G 3/8" - G 1/2"
Max. Inlet pressure	13 bar - 1,3 MPa
Max. ambient temperature (at 10 bar)	50°C
Weight	gr. 435
Indicative oil drip rate	1 drop every 300/600 NI
Oil type	FD22 - HG32
Bowl capacity	32 cm <sup>3</sup>
Assembly position	Vertical
Wall fixing screw	M6
Min. operational flow at 6,3 bar	20 NI/min
Max. fitting torque	40 Nm