

Ordering code

**17301C.S.T**

**CONNECTIONS**

**C** A = G 3/8"

B = G 1/2"

Filter pore size

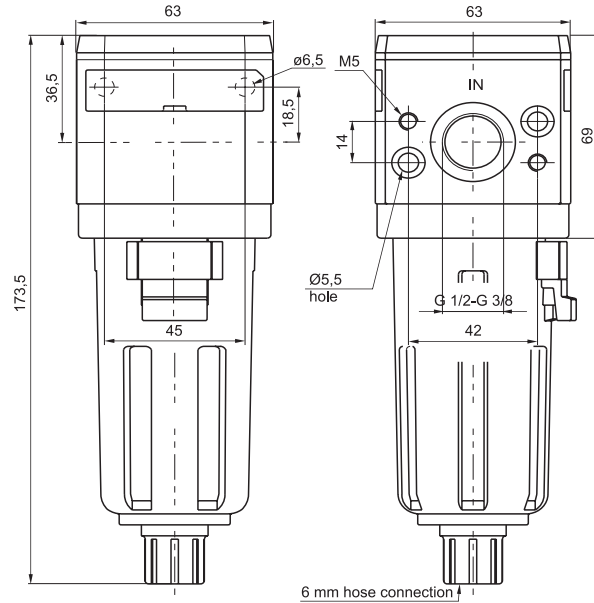
**S** A = 5

B = 20

C = 50

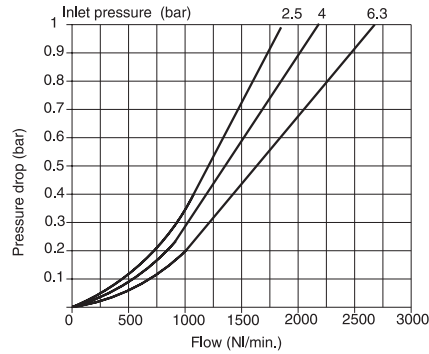
**T** TYPE

S = Automatic drain



Example: 17301A.B  
Filter size 3 with G 3/8" connections and filter pore size 20 .

Flow rate curves



**Construction and working characteristics**

- Body made with light alloy.
- Wall mounting possibility with M6 screws protected by covers.
- Double filtering action: by air centrifuging and by replaceable and reusable HDPE porous filter element.
- Transparent technopolymer bowl with shock resistant technopolymer protection connected to the body with bayonet cap and safety button.
- Manual and semi-automatic water drain valve; in the semi-automatic version the drainage happens when there is no pressure or by pushing the valve up-wards.
- Possibility to see the water level on 360°.
- Automatic water drainage bowl available on request.

**Technical characteristics**

Connections	G 3/8" - G 1/2"
Max. Inlet pressure	13 bar - 1,3 MPa
Max. ambient temperature (at 10 bar)	50°C
Weight	gr. 405
Filter pore size	5 - 20 - 50
Bowl capacity	42 cm <sup>3</sup>
Assembly position	Vertical
Wall fixing screw	M6
Max. fitting torque	40 Nm